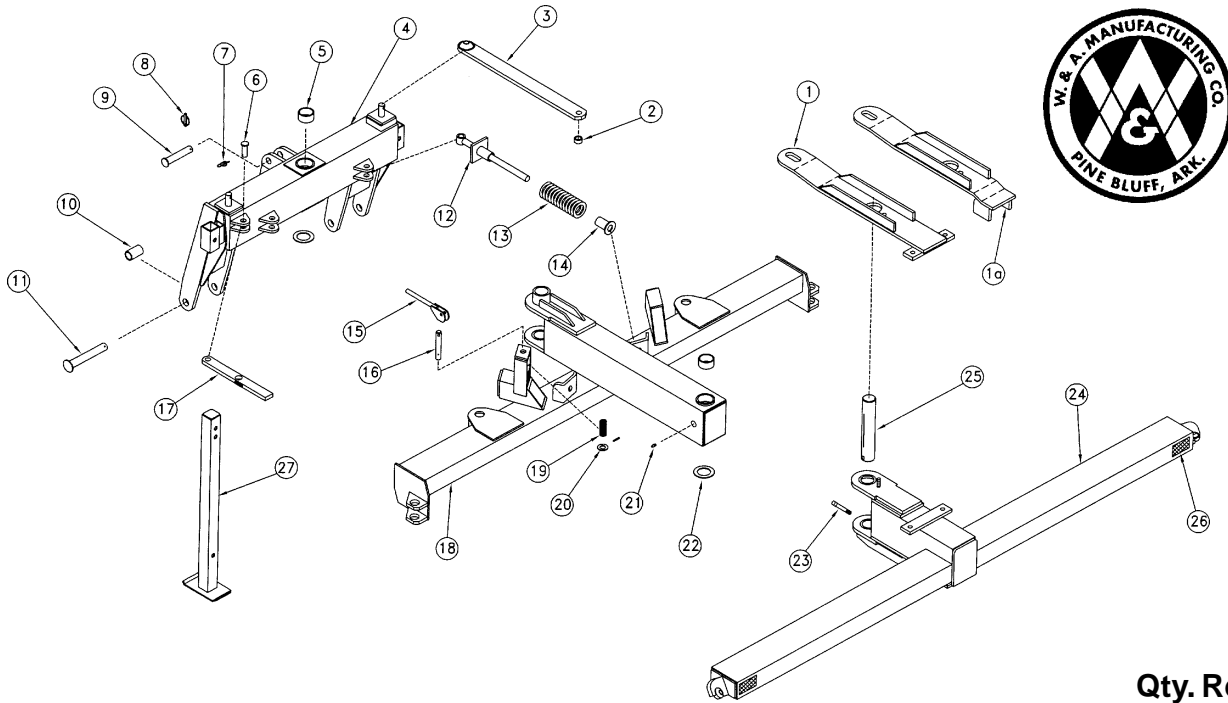


# **LEVEE PLOW COMBINATION**

**Model No. 0850 -- 22 Blade**

# 0850 - 22 Blade Combination Levee Plow

## MAIN FRAME ASSEMBLY

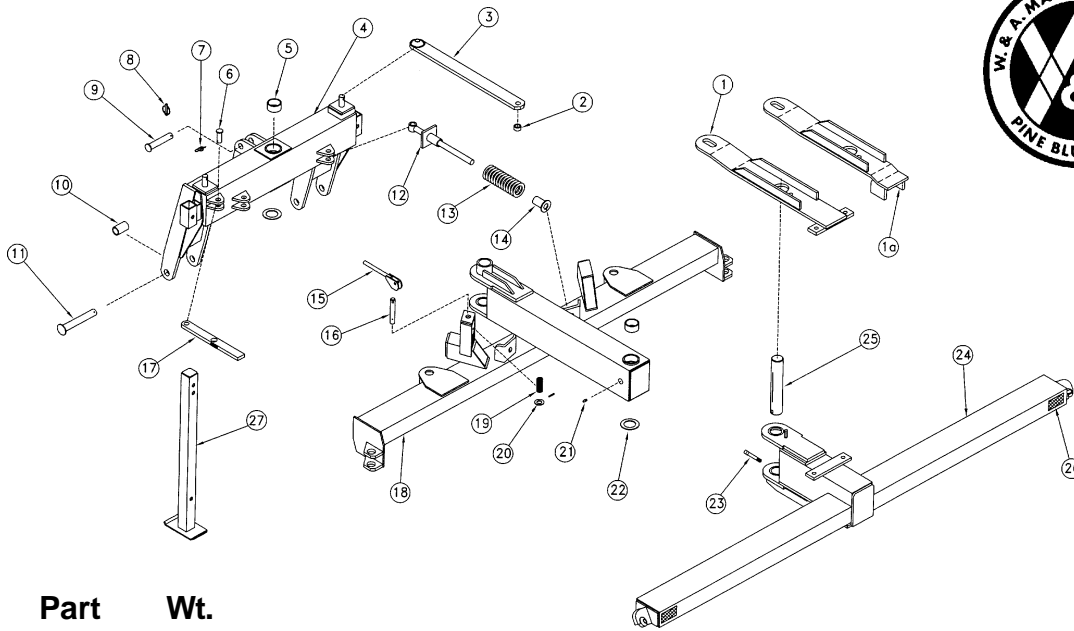


Item No.	Part No.	Wt. Lbs.	Description	Qty. Req'd for 1 Machine
1	800906	47½	Rear Turning Arm.....(2014 & Later) .....	1
-	411586	¼	Hex Bolt -- 3/4" x 2½" NC - Gr 5 - Zinc .....	2
-	410009	-	Lock Nut -- 5/8" NC - Gr 2 - Zinc .....	1
-	412012	-	Hex Nut -- 3/4" NC - 10 - Gr 2 - Zinc .....	2
-	413010	-	Flat Washer -- 5/8" - Zinc .....	1
-	413512	-	Lock Washer -- 3/4" - Zinc.....	2
1a	800904	50	Rear Turning Arm - Parts Only - TLP.....(2013 & Earlier) .....	-
2	805087	-	Bushing – Stabilizer (TLP) .....	1
3	800912	20¼	Stabilizer Bar (TLP) .....	2
-	411642	1	Hex Bolt -- 1" x 3½" NC - Gr 5 - Zinc .....	1
-	410016	-	Lock Nut -- 1" NC - Top Lock - Zinc .....	1
-	416207	-	Klik Pin -- 7/16" - Zinc .....	2
4	800902	315	Three Point Swivel Hitch (TLP).....	1
-	805085	19	Pivot Pin -- 2½" x 14-1/8" w/ Groove (TLP).....(See Key 25) .....	1
-	461123	-	Warning Decal -- Operator's Manual .....	1
-	461138	-	Danger Decal -- Crushing Hazard.....	1
5	401134	-	Hard Bushing -- 2½" - Double Levee Plow .....	4
6	416659	½	Clevis Pin -- 1" x 2-21/32" - Zinc.....(Use with #17) .....	1
7	416309	-	Rue Ring Cotter Pin -- 1" - Zinc.....(Use with #17) .....	1
8	416207	-	Klik Pin -- 7/16" - Zinc.....(Use with #9) .....	1

# 0850 - 22 Blade Combination Levee Plow

## MAIN FRAME ASSEMBLY

(Continued)

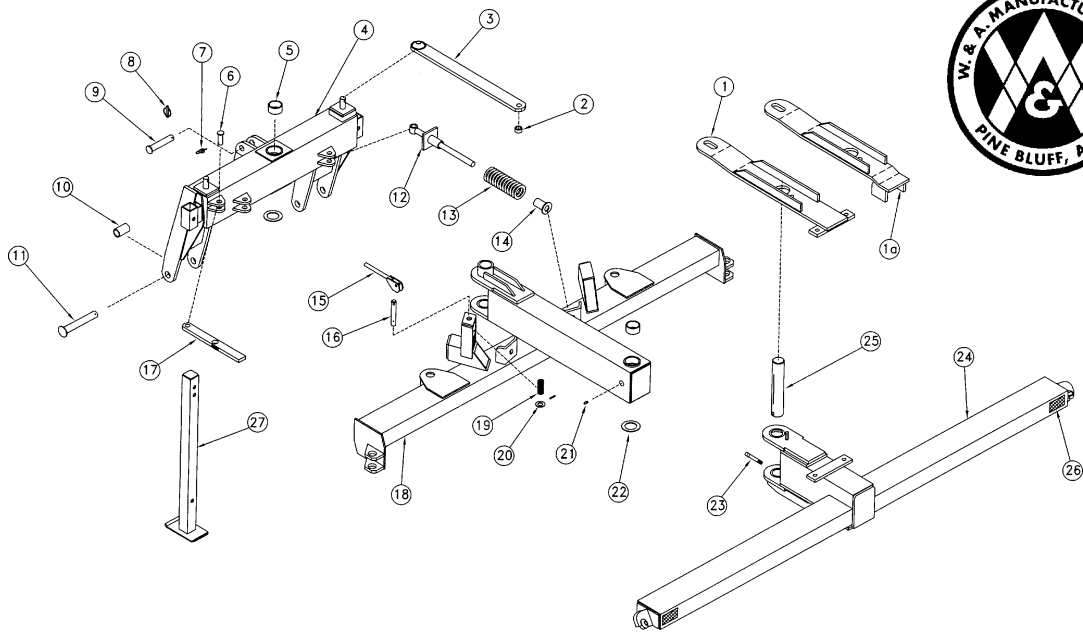


Item No.	Part No.	Wt. Lbs.	Description	Qty. Req'd for 1 Machine
9	416698	2	1¼" Top Link Pin - Zinc.....	1
10	805086	-	Spacer (TLP) .....	2
11	300841	4	Hitch Pin -- 1-7/16" x 9".....	2
-	416207	-	Klik Pin -- 7/16" - Zinc .....	2
12	800942	7	Spring Rod (TLP).....(Hitch to Front Bar) .....	2
-	416662	¾	Clevis Pin -- 1" x 3½" - Zinc .....	2
-	416309	-	Rue Ring Cotter Pin -- 1" - Zinc .....	2
13	471095	7½	Compression Spring -- 5/8" x 10¼" .....	2
14	800943	-	Locator for Spring (TLP).....	2
15	800913	2	Transport Lock Handle (TLP).....	1
-	411547	-	Hex Bolt -- 1/2" x 2" NC - Gr 5 - Zinc .....	1
-	410008	-	Lock Nut -- 1/2" NC - Zinc .....	1
-	413016	-	Flat Washer -- 1" - Zinc .....	1
-	461100	-	Decal -- Travel / Plow .....	2
16	805084	1¼	Transport Lock Pin -- 1" (TLP) .....	1
-	411184	-	Hex Bolt -- 1/2" x 2" NC - Gr 5 - Zinc .....	1
-	410008	-	Lock Nut -- 1/2" NC - Zinc.....	1
17	800914	7	Transport Bar (TLP) .....	1
18	800947	586	Front Tool Bar .....	1

# 0850 - 22 Blade Combination Levee Plow

## MAIN FRAME ASSEMBLY

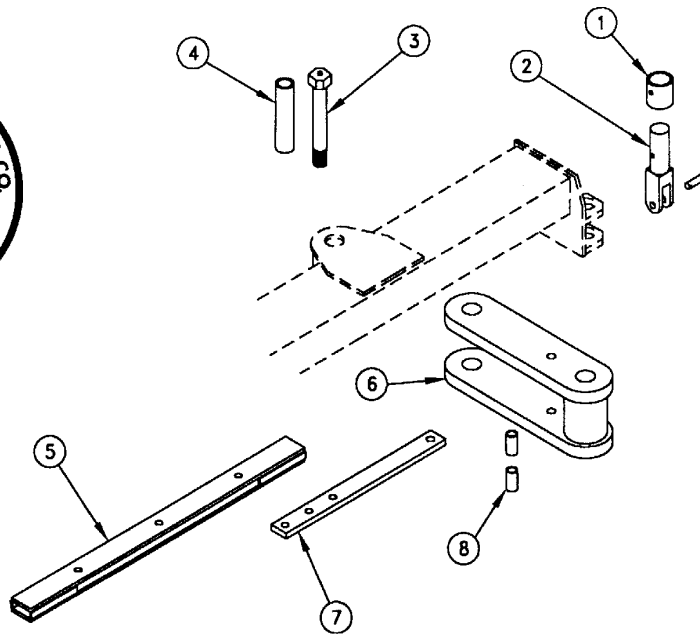
(Continued)



<u>Item No.</u>	<u>Part No.</u>	<u>Wt. Lbs.</u>	<u>Description</u>	<u>Qty. Req'd for 1 Machine</u>
19	471085	¼	Compression Spring -- 3/16" x 1-1/16" x 3 1/2" .....	1
20	413115	-	Machine Washer -- 1 1/2" OD x 1" ID x 14 Ga .....	1
-	416003	-	Cotter Pin -- 5/32" x 1 3/4" .....	1
21	450004	-	1/4" Drive-in Grease Fitting .....	1
22	413132	-	Machine Washer -- 3-7/8" OD x 2 1/2" ID x 10 Ga .....	2
23	411566	¼	Hex Bolt -- 5/8" x 4" NC - Gr 5 - Zinc .....	2
-	413510	-	Lock Washer -- 5/8" - Zinc .....	2
-	412010	-	Hex Nut -- 5/8" - 11 - Gr 2 - Zinc .....	2
24	800927	494	Rear Tool Bar .....	1
25	805085	19	Pivot Pin -- 2 1/2" x 14-1/8" w/Groove (TLP).....(same pin - front & rear) .....	2
26	461201	-	Decal -- Red Reflector - 4 1/2" x 2" .....	2
-	461200	-	Decal -- Amber Reflector - 4 1/2" x 2".....(front of Front Bar) .....	2
27	800903	20 1/2	Parking Stand - Double Levee Plow .....	2
N/I	416230	3/4	3/4" Safety Lock Pin x 5 1/2" OAL - Zinc .....	2

# 0850 - 22 Blade Combination Levee Plow

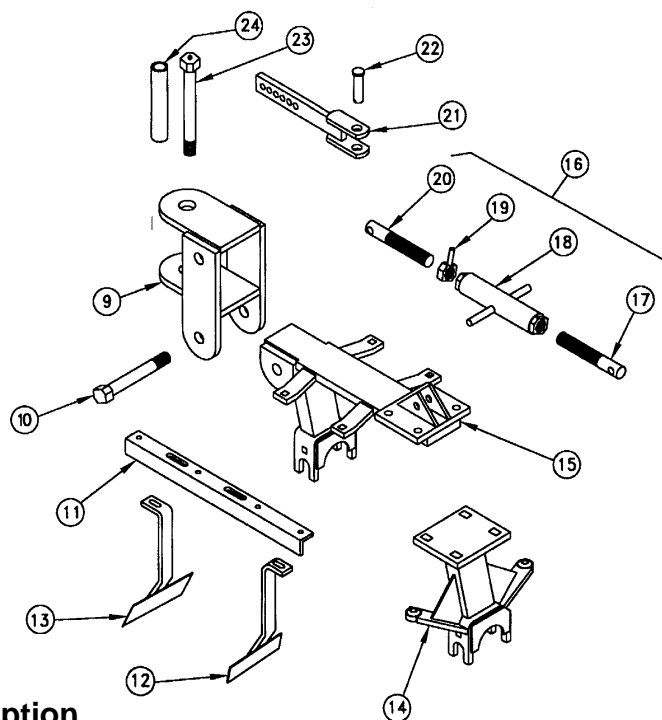
## MAIN FRAME PARTS



Item No.	Part No.	Wt. Lbs.	Description	Qty. Req'd for 1 Machine
1	802306	½	Bushing - Levee Plow .....	2
-	411150	-	Hex Bolt -- 3/8" x 3" NC - Gr. 2 - Zinc .....	2
-	413506	-	Lock Washer -- 3/8" - Zinc.....	2
-	412006	-	Hex Nut -- 3/8" - 16 - Gr 2 - Zinc.....	2
2	800192	6	Draft Angle Swivel - Levee Plow .....	2
-	416630	¼	Clevis Pin -- 5/8" x 2¼" - Zinc.....	2
-	416306	-	Rue Ring Cotter Pin -- 5/8" - Zinc .....	2
3	802371	3	Drilled Bolt -- 1¼" x 9" w/Grease Fitting .....	2
-	413020	-	Flat Washer -- 1¼" - Zinc .....	4
-	412120	½	Slotted Nut -- 1¼" - 7 - Gr. 2 - Reg. - Zinc .....	2
-	416005	-	Cotter Pin - 1/4" x 2" - Zinc .....	2
-	450004	-	1/4" Drive-In Grease Fitting .....	2
4	802303	2½	Pivot Support Bushing x 7-1/4" - Levee Plow.....(1-3/4" OD) .....	2
5	800187	21	Slide Bar Housing - Levee Plow .....	1
-	416630	¼	Clevis Pin -- 5/8" x 2¼" - Zinc.....	3
-	416306	-	Rue Ring Cotter Pin -- 5/8" - Zinc .....	3
6	800409	65	Pivot Bracket Support -- 4" x 7" Bar - Levee Plow .....	2
7	802302	6	Slide Bar - 8 Blade Levee Plow .....	2
8	805224	¼	Spacer -- 3/4" Pipe x 2-1/16" - Double Levee Plow .....	4
-	411601	1	Hex Bolt -- 3/4" x 8½" NC - Gr. 5 - Zinc .....	2
-	413512	-	Lock Washer -- 3/4" - Zinc.....	2
-	412012	-	Hex Nut -- 3/4" - 10 - Gr 2 - Zinc.....	2

# 0850 - 22 Blade Combination Levee Plow

## FRONT GANG FRAME

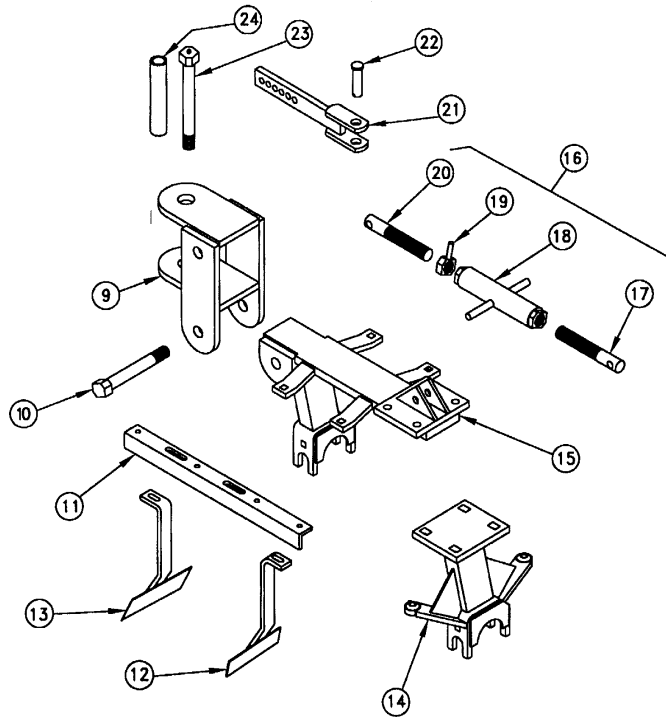


Item No.	Part No.	Wt. Lbs.	Description	Qty. Req'd for 1 Gang
9	800408	56	Pivot Bracket -- 4" x 7" Bar - Levee Plow .....	1
10	802562	3	Hex Bolt -- 1¼" x 9" w/Cotter Pin Hole .....	1
-	413020	-	Flat Washer -- 1¼" - Zinc .....	2
-	412120	½	Slotted Nut -- 1¼" - 7 - Gr 2 - Reg - Zinc .....	1
-	416005	-	Cotter Pin -- 1/4" x 2" - Zinc .....	1
11	802309	11	Scraper Bar – RH - 8 Blade Levee Plow .....	1
-	802363	11	Scraper Bar – LH - 8 Blade Levee Plow .....	1
-	411790	¼	Carriage Bolt -- 5/8" x 2" NC - Gr 5 - Zinc .....	2
-	413510	-	Lock Washer -- 5/8" - Zinc .....	2
-	412010	-	Hex Nut -- 5/8" - 11 - Gr 2 - Zinc .....	2
12	800202	4½	Levee Plow Scraper - RH .....	3
-	800203	4½	Levee Plow Scraper - LH .....	3
-	411785	-	Carriage Bolt -- 1/2" x 1½" NC - Gr. 5 - Zinc .....	3
-	413508	-	Lock Washer -- 1/2" - Zinc .....	3
-	412008	-	Hex Nut -- 1/2" - 13 - Gr 2 - Zinc .....	3
13	800200	4½	End Scraper - RH - Levee Plow .....	1
-	800201	4½	End Scraper - LH - Levee Plow .....	1
-	411785	-	Carriage Bolt -- 1/2" x 1½" NC - Gr. 5 - Zinc .....	1
-	413508	-	Lock Washer -- 1/2" - Zinc .....	1
-	412008	-	Hex Nut -- 1/2" - 13 - Gr 2 - Zinc .....	1
14	800198	37	Bearing Riser - Levee Plow .....	1
-	411794	½	Carriage Bolt -- 3/4" x 3½" NC - Gr. 5 - Zinc .....	4
-	413512	-	Lock Washer -- 3/4" - Zinc .....	4
-	412012	-	Hex Nut -- 3/4" - 10 - Gr 2 - Zinc .....	4
15	800197	78	Gang Frame - 8 Blade Levee Plow .....	1

# 0850 - 22 Blade Combination Levee Plow

## FRONT GANG FRAME

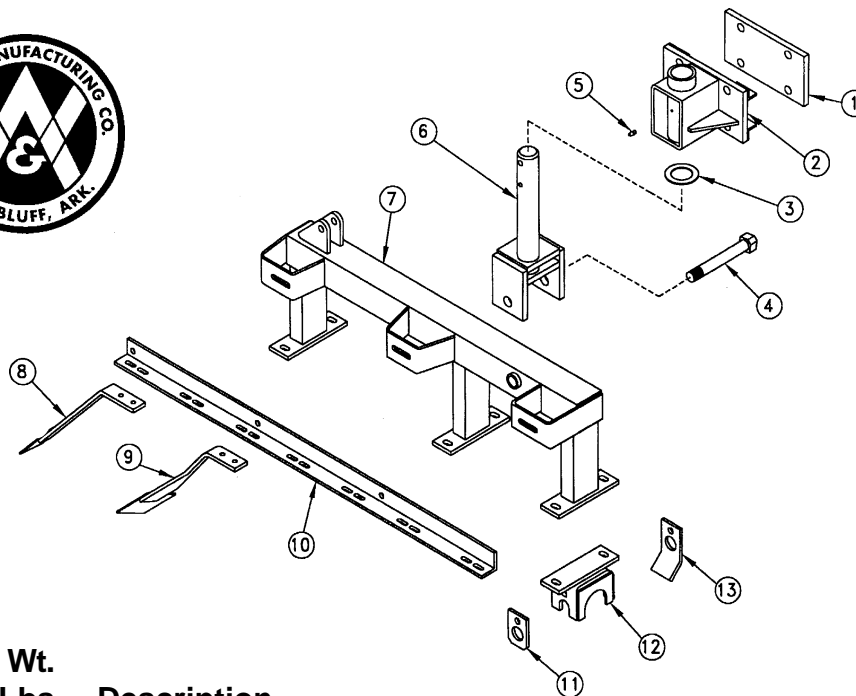
(Continued)



Item No.	Part No.	Wt. Lbs.	Description	Qty. Req'd for 1 Gang
16	505019	13½	Turnbuckle Complete - 8 Blade Levee Plow .....	1
17	802308	4	Turnbuckle Stud – LH - 1-3/8" x 9" - Levee Plow .....	1
-	416640	½	Clevis Pin -- 3/4" x 3" - Zinc .....	1
-	416309	-	Rue Ring Cotter Pin -- 1" - Zinc .....	1
18	800196	8½	Turnbuckle Body - 11½" - 8 Blade Levee Plow .....	1
-	450004	-	1/4" Drive-In Grease Fitting .....	2
19	800249	½	Jam Nut -- 1-3/8" (Adj) - Levee Plow Turnbuckle .....	1
20	802307	4	Turnbuckle Stud - RH - 1-3/8" x 9" - Levee Plow .....	1
-	416640	½	Clevis Pin -- 3/4" x 3" - Zinc .....	1
-	416309	-	Rue Ring Cotter Pin -- 1" - Zinc .....	1
21	800194	9	Draft Angle - Levee Plow .....	1
22	416662	1	Clevis Pin -- 1" x 3½" - Zinc .....	1
-	416309	-	Rue Ring Cotter Pin -- 1" - Zinc .....	1
23	802372	4½	Drilled Bolt -- 1¼" x 11" w/Grease Fitting .....	1
-	413020	-	Flat Washer -- 1¼" - Zinc .....	2
-	412120	½	Slotted Nut -- 1¼" - 7 - Gr. 2 - Reg. - Zinc .....	1
-	416005	-	Cotter Pin - 1/4" x 2" - Zinc .....	1
-	450004	-	1/4" Drive-In Grease Fitting .....	1
24	802304	3	Pivot Bracket Bushing x 9" - Levee Plow.....(1-3/4" OD) .....	1

## 0850 - 22 Blade Combination Levee Plow

# TAPERED GANG FRAME ASSEMBLY

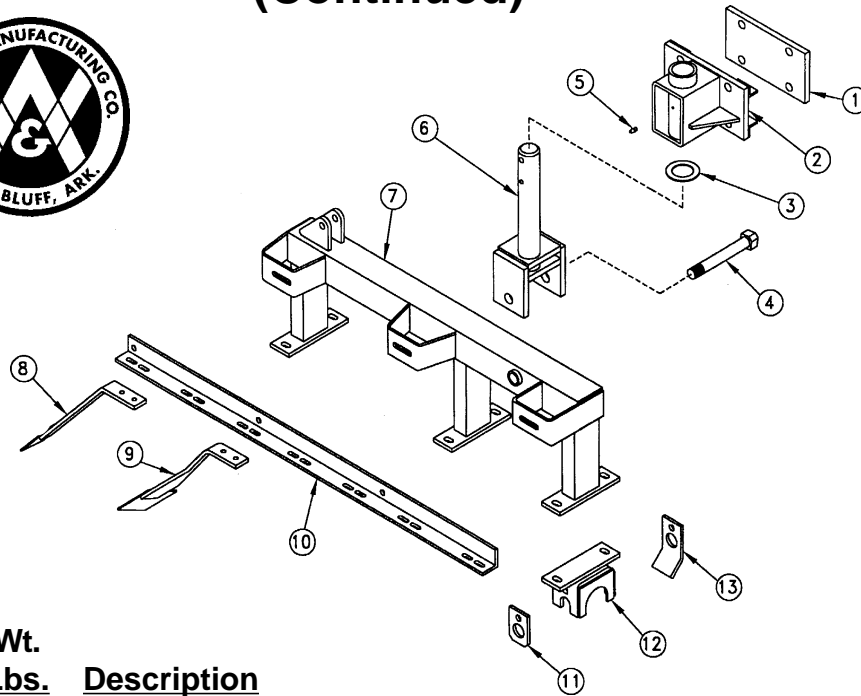


Item No.	Part No.	Wt. Lbs.	Description	Qty. Req'd for 1 Gang
1	805118	18	Backing Plate (TLP).....	1
-	411655	2¼	Hex Bolt -- 1" x 10" NC - Gr 5 - Zinc .....	4
-	412016	-	Hex Nut -- 1" - 8 - Gr 2 - Zinc .....	4
-	413516	-	Lock Washer -- 1" - Zinc.....	4
2	800934	42½	Gang Support Top (TLP) .....	1
3	413132	-	Machine Washer -- 3-7/8" OD x 2½" ID x 10 Ga .....	1
4	411673	3	Hex Bolt -- 1¼" x 9" NC - Gr 5 - Zinc .....	1
-	412420	-	Jam Nut -- 1¼" - 7 - Gr 2 - Zinc .....	2
-	413020	-	Flat Washer -- 1¼" - Zinc .....	1
5	450004	-	1/4" Drive-In Grease Fitting .....	1
6	800932	45	Gang Support Pivot - 2½" Dia. Rod (TLP) .....	1
-	416133	-	Roll Pin -- 1/2" x 3½" - Zinc .....	1
7	800930	105	Gang Frame -- LH (TLP).....(Shown) .....	1
-	800929	105	Gang Frame -- RH (TLP).....	1
8	800937	5½	Outside Scraper – LH (TLP) .....	3
-	800936	5½	Outside Scraper – RH (TLP) .....	3
-	411785	-	Carriage Bolt -- 1/2" x 1½" NC - Gr 5 - Zinc.....	6
-	413508	-	Lock Washer -- 1/2" - Zinc.....	6
-	412008	-	Hex Nut -- 1/2" - 13 - Gr 2 - Zinc.....	6



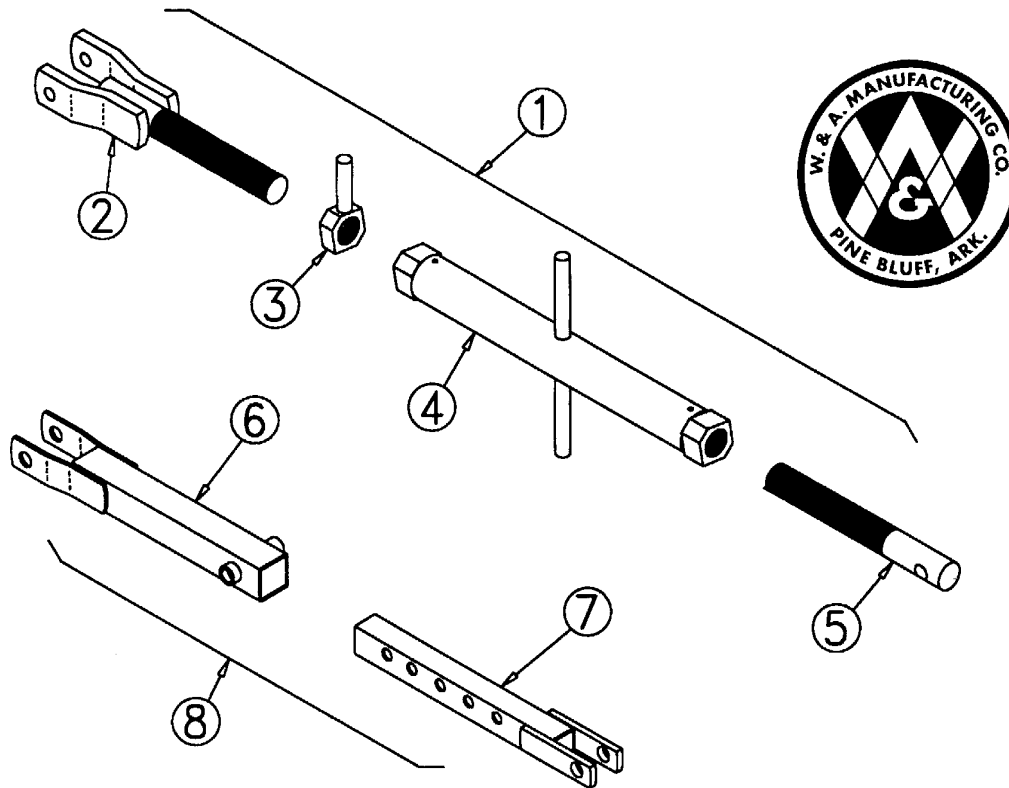
# TAPERED GANG FRAME ASSEMBLY

(Continued)



<u>Item No.</u>	<u>Part No.</u>	<u>Wt. Lbs.</u>	<u>Description</u>	<u>Qty. Req'd for 1 Gang</u>
9	800939	5½	Inside Scraper – LH (TLP).....(w/Twist in Leg) .....	4
-	800938	5½	Inside Scraper – RH (TLP).....(w/Twist in Leg) .....	4
-	411785	-	Carriage Bolt -- 1/2" x 1½" NC - Gr 5 - Zinc .....	8
-	413508	-	Lock Washer -- 1/2" - Zinc .....	8
-	412008	-	Hex Nut -- 1/2" - 13 - Gr 2 - Zinc .....	8
10	805106	27	Scraper Bar – LH (TLP) .....	1
-	805105	27	Scraper Bar – RH (TLP) .....	1
-	411790	-	Carriage Bolt -- 5/8" x 2" NC - Gr 5 - Zinc .....	3
-	413510	-	Lock Washer -- 5/8" - Zinc .....	3
-	412010	-	Hex Nut -- 5/8" - 11 - Gr 2 - Zinc .....	3
11	805094	1	Rear Trunion Clamp (TLP) .....	3
-	411790	-	Carriage Bolt -- 5/8" x 2" NC - Gr 5 - Zinc .....	3
-	412010	-	Hex Nut -- 5/8" - 11 - Gr 2 - Zinc .....	3
-	413510	-	Lock Washer -- 5/8" - Zinc .....	3
12	800926	12½	Trunion Housing (TLP) .....	3
-	411790	-	Carriage Bolt -- 5/8" x 2" NC - Gr 5 - Zinc .....	6
-	412010	-	Hex Nut -- 5/8" - 11 - Gr 2 - Zinc .....	6
-	413510	-	Lock Washer -- 5/8" - Zinc .....	6
13	805093	2½	Front Trunion Clamp (TLP) .....	3
-	411790	-	Carriage Bolt -- 5/8" x 2" NC - Gr 5 - Zinc .....	3
-	412010	-	Hex Nut -- 5/8" - 11 - Gr 2 - Zinc .....	3
-	413510	-	Lock Washer -- 5/8" - Zinc .....	3

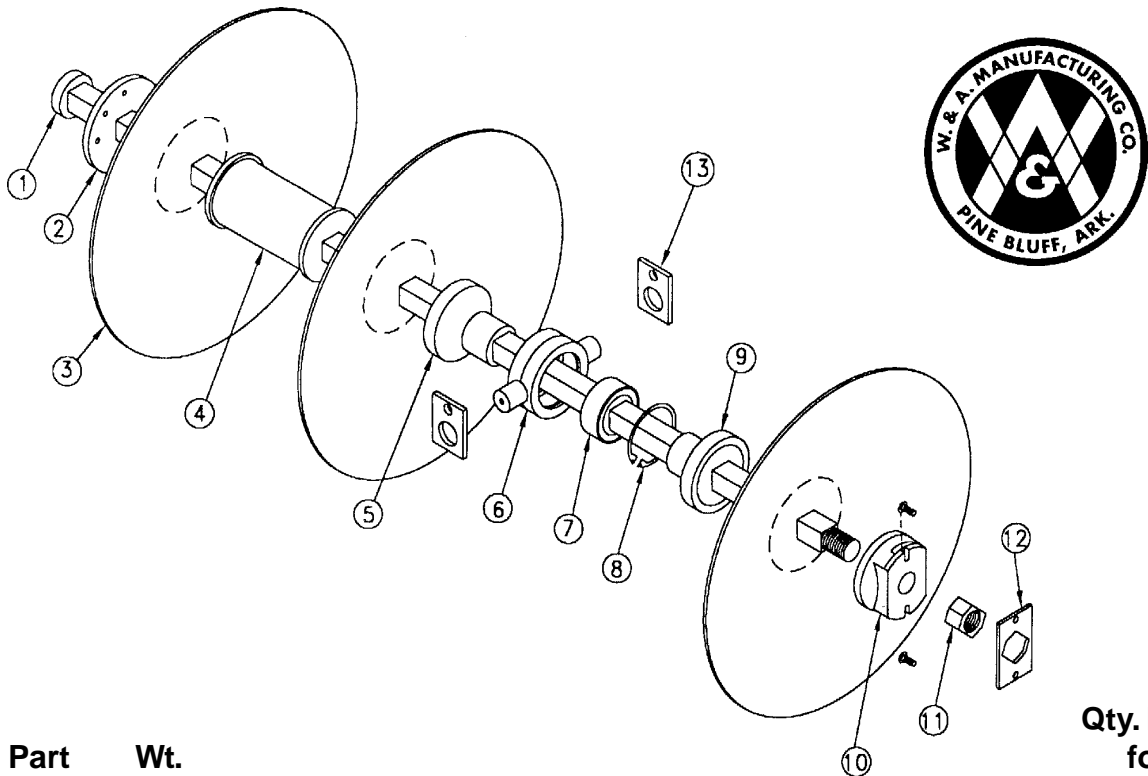
# TURNBUCKLE & SCOPING ARM



Item No.	Part No.	Wt. Lbs.	Description	Qty. Req'd for 1 Gang
1	708031	25	Turnbuckle Complete (TLP).....(Includes 2, 3, 4 & 5) .....	1
2	800909	10	Yoke End – RH (TLP) .....	1
-	411567	¼	Hex Bolt -- 5/8" x 4½" NC - Gr 5 - Zinc .....	1
-	410009	-	Lock Nut -- 5/8" NC - Gr 2 - Zinc .....	1
3	800907	1	Jam Nut – 1½" (TLP) .....	1
4	800905	9	Turnbuckle Body (TLP) .....	1
-	450004	-	1/4" Drive-In Grease Fitting .....	2
5	805030	5	Turnbuckle End – LH (TLP) .....	1
-	411590	¼	Hex Bolt -- 3/4" x 3½" NC - Gr 5 - Zinc .....	1
-	410012	-	Lock Nut -- 3/4" NC - Gr 2 - Zinc .....	1
6	800911	5¼	Outer Scoping Arm (TLP).....	1
7	800910	4	Inner Scoping Arm (TLP) .....	1
8	708032	9¾	Scoping Arm Assembly (TLP).....(Includes 6, 7 & Bolts) .....	1
-	411566	¼	Hex Bolt -- 5/8" x 4" NC - Gr 5 - Zinc .....	1
-	413510	-	Lock Washer -- 5/8" - Zinc.....	1
-	412010	-	Hex Nut -- 5/8" - 11 - Gr 2 - Zinc.....	1
-	411590	-	Hex Bolt -- 3/4" x 3½" NC - Gr. 5 - Zinc.....	2
-	413512	-	Lock Washer -- 3/4" - Zinc.....	2
-	412012	-	Hex Nut -- 3/4" - 10 - Gr 2 - Zinc.....	2

# 0850 - 22 Blade Combination Levee Plow

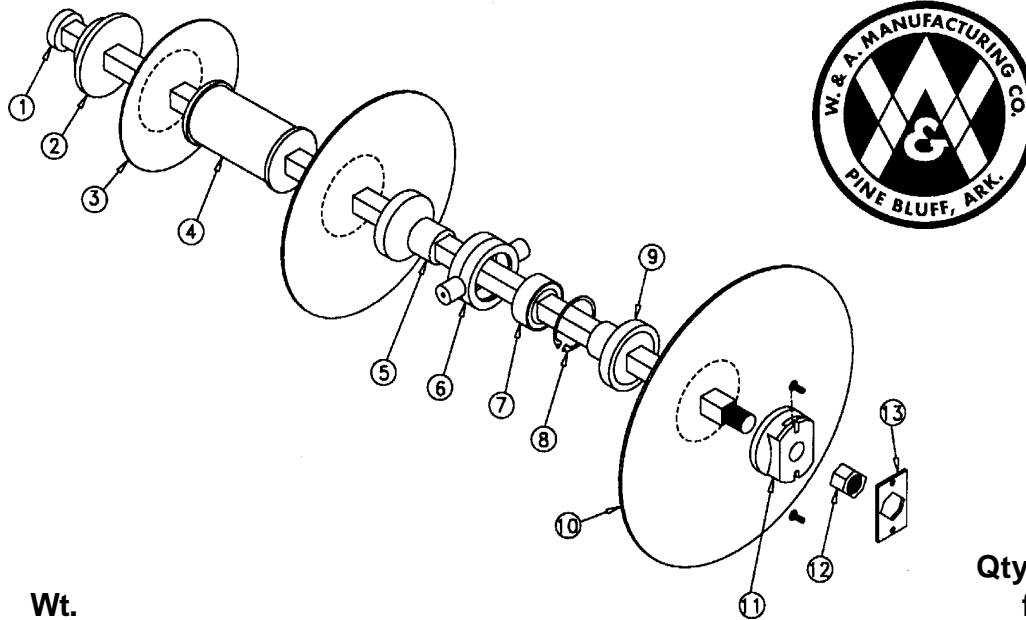
## FRONT GANG PARTS



<u>Item No.</u>	<u>Part No.</u>	<u>Wt. Lbs.</u>	<u>Description</u>	<u>Qty. Req'd for 1 Gang</u>
1	478114	21	1½" Sq. x 31¼" NF Axle w/Nut - 8 Blade Levee Plow .....	1
2	802384	7	Bumper Washer - Levee Plow .....	1
3	473230	41½	24" x 5/16" RFC Plain Blade - 1½" Sq. Ctr. Hole .....	4
4	800193	10½	Spacer Spool - 9" - Levee Plow .....	1
5	802005	7	Large End Bell - Levee Plow .....	2
6	802006	7	Bearing Housing - Levee Plow .....	2
-	505001	9½	Bearing & Housing Assembly - Levee Plow .....	2
7	481213	2½	Bearing - 1½" Sq. Bore - GW211PP3 .....	2
8	483393	-	Retaining Ring - LP & 1½" Axle Bedder .....	2
9	802004	6	Small End Bell - Levee Plow .....	2
10	802256	6½	End Gang Washer - Levee Plow .....	1
11	412824	1	Hex Nut -- 1½" - 12 - Gr. 5 - Zinc .....	1
12	802340	1	Lock Plate - Levee Plow .....	1
-	411711	-	Carriage Bolt -- 3/8" x 1" NC - Gr. 2 - Zinc .....	2
-	413506	-	Lock Washer -- 3/8" - Zinc .....	2
-	412006	-	Hex Nut -- 3/8" - 16 - Gr 2 - Zinc .....	2
13	802044	1	Trunion Housing Clamp - Levee Plow .....	4
-	411790	-	Carriage Bolt -- 5/8" x 2" NC - Gr 5 - Zinc .....	4
-	412010	-	Hex Nut -- 5/8" - 11 - Gr 2 - Zinc .....	4
-	413510	-	Lock Washer -- 5/8" - Zinc .....	4

# 0850 - 22 Blade Combination Levee Plow

## TAPERED GANG PARTS



Item No.	Part No.	Wt. Lbs.	Description	Qty. Req'd for 1 Gang
1	478117	37	1½" Sq. x 57¾" NF Axle w/Nut (TLP) .....	1
2	802384	4¾	Bumper Washer - Levee Plow .....	1
3	473712	14	12" x 6.0MM RFC Plain Blade - 1½" Sq Ctr Hole .....	1
-	473714	6½	14" x 4.0MM RFC Plain Blade - 1½" Sq Ctr Hole .....	1
-	473716	9	16" x 4.0MM RFC Plain Blade - 1½" Sq Ctr Hole .....	1
-	473718	11½	18" x 4.5MM RFC Plain Blade - 1½" Sq Ctr Hole .....	1
-	473720	16	20" x 4.5MM RFC Plain Blade - 1½" Sq Ctr Hole .....	1
-	473722	19	22" x 4.5MM RFC Plain Blade - 1½" Sq Ctr Hole .....	1
4	800193	10½	Spacer Spool - 9" - Levee Plow .....	3
5	802005	7	Large End Bell - Levee Plow .....	3
6	802006	7	Bearing Housing - Levee Plow .....	3
-	450102	-	1/8" NPT Grease Fitting .....	3
-	505001	9½	Bearing & Housing Assembly - Levee Plow .....	3
7	481213	2½	Bearing - 1½" Sq. Bore - GW211PP3 .....	3
8	483393	-	Retaining Ring - LP & 1½" Axle Bedder .....	3
9	802004	6	Small End Bell - Levee Plow .....	3
10	473230	41½	24" x 5/16" RFC PI Blade - 1½" Sq Ctr Hole .....	1
11	802256	6½	End Gang Washer - Levee Plow .....	1
12	412824	1	Hex Nut -- 1½" - 12 - Gr 5 - Zinc .....	1
13	802340	1	Lock Plate - Levee Plow .....	1
-	411711	-	Carriage Bolt -- 3/8" x 1" NC - Gr 2 - Zinc .....	2
-	413506	-	Lock Washer -- 3/8" - Zinc .....	2
-	412006	-	Hex Nut -- 3/8" - 16 - Gr 2 - Zinc .....	2