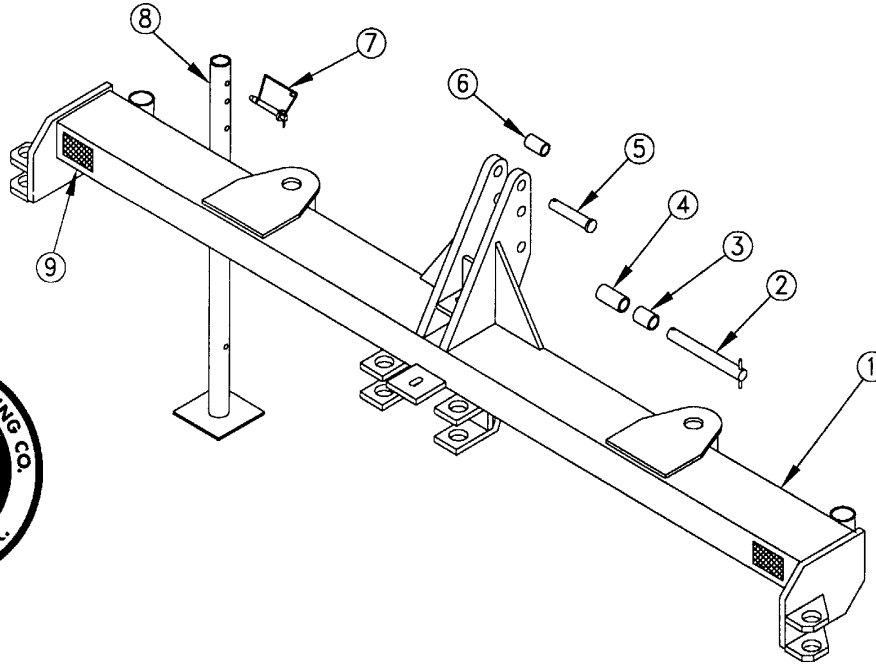


LEVEE PLOW STANDARD

Model No. 824 -- 8 Blade

0854 - 8 Blade Levee Plow

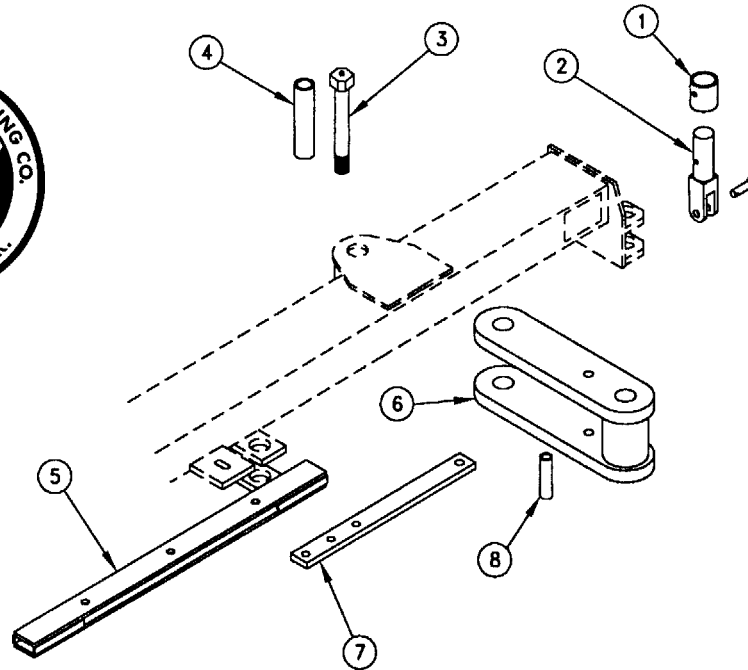
MAIN FRAME ASSEMBLY



Item No.	Part No.	Wt. Lbs.	Description	Qty. Req'd for 1 Machine
1	800412	388	4 x 7 Main Frame for 8 Blade Levee Plow	1
-	800413	459	4 x 7 Main Frame for 10 Blade LP (Parts Only)	1
2	201360	2½	Hitch Pin -- 1-1/8" x 9"	2
-	416309	-	Rue Ring Cotter Pin -- 1" - Zinc	3
-	201548	3	Center Hitch Pull Plate	2
-	411561	-	Hex Bolt -- 5/8" x 2" NC - Gr 5 - Zinc	4
-	412010	-	Hex Nut -- 5/8" - 11 - Gr 2 - Zinc	4
-	413510	-	Lock Washer -- 5/8" - Zinc	4
3	201665	¼	Bushing -- 1-7/16" OD x 1-1/8" ID x 2" Long	2
4	201666	¼	Bushing -- 1½" OD x 1-1/8" ID x 3-1/8" Long	2
5	416666	2	Clevis Pin -- 1" x 4½" - Zinc	1
-	416309	-	Rue Ring Cotter Pin 1" - Zinc	1
6	201799	-	Cat. III Bushing -- 1¼" OD x 2-1/8" Long	1
7	416228	½	1/2" Safety Lock Pin x 5½" OAL - Zinc	2
8	800185	9	Parking Stand - Levee Plow	2
9	461201	-	Decal - Red Reflector - 4½" x 2"	2
-	461200	-	Decal - Amber Reflector - 4½" x 2"(front of bar)	2

0854 - 8 Blade Levee Plow

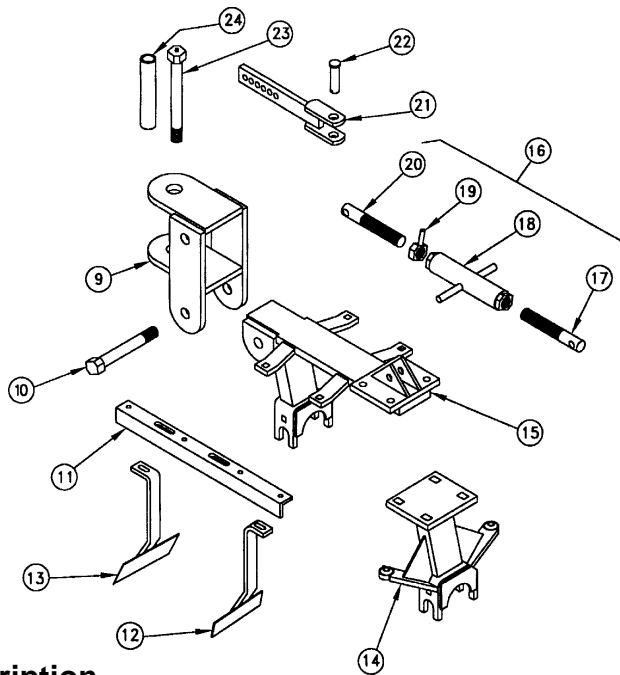
MAIN FRAME PARTS



Item No.	Part No.	Wt. Lbs.	Description	Qty. Req'd for 1 Machine
1	802306	½	Bushing - Levee Plow	4
-	411150	-	Hex Bolt -- 3/8" x 3" NC - Gr. 2 - Zinc	4
-	413506	-	Lock Washer -- 3/8" - Zinc	4
-	412006	-	Hex Nut -- 3/8" - 16 - Gr 2 - Zinc	4
2	800192	6	Draft Angle Swivel - Levee Plow	4
-	416630	¼	Clevis Pin -- 5/8" x 2¼" - Zinc	2
-	416306	-	Rue Ring Cotter Pin 5/8" - Zinc	2
3	802371	3	Drilled Bolt -- 1¼" x 9" w/Grease Fitting	2
-	413020	-	Flat Washer -- 1¼" - Zinc	4
-	412120	½	Slotted Nut -- 1¼" - 7 - Gr. 2 - Reg. - Zinc	2
-	416005	-	Cotter Pin - 1/4" x 2" - Zinc	2
-	450004	-	1/4" Drive-In Grease Fitting	2
4	802303	2½	Pivot Support Bushing x 7¼" - Levee Plow...(1¾" OD) ...	2
5	800187	21	Slide Bar Housing - Levee Plow	1
-	416630	¼	Clevis Pin -- 5/8" x 2¼" - Zinc	3
-	416306	-	Rue Ring Cotter Pin -- 5/8" - Zinc	3
6	800409	65	Pivot Bracket Support -- 4" x 7" Bar - Levee Plow	2
7	802302	6	Slide Bar -- 8 Blade Levee Plow	2
-	802366	8½	Slide Bar -- 10 Blade Levee Plow (Parts Only)	2
8	802305	½	Spacer -- Levee Plow.....(3/4" Pipe x 4-1/8")	2
-	411601	1	Hex Bolt -- 3/4" x 8½" NC - Gr. 5 - Zinc	2
-	413512	-	Lock Washer -- 3/4" - Zinc	2
-	412012	-	Hex Nut -- 3/4" - 10 - Gr 2 - Zinc	2

0854 - 8 Blade Levee Plow

GANG FRAME

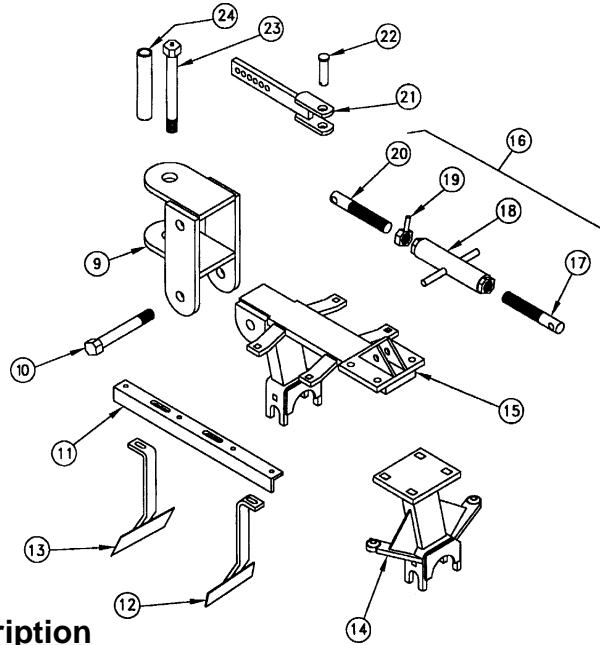


Item No.	Part No.	Wt. Lbs.	Description	Qty. Req'd for One Gang
9	800408	56	Pivot Bracket -- 4" x 7" Bar - Levee Plow	1
10	802562	3	Hex Bolt -- 1¼" x 9" w/Cotter Pin Hole	1
-	413020	-	Flat Washer -- 1¼" - Zinc	2
-	412120	½	Slotted Nut -- 1¼" - 7 - Gr 2 - Reg - Zinc	1
-	416005	-	Cotter Pin -- 1/4" x 2" - Zinc	1
11	802309	11	Scraper Bar – RH - 8 Blade Levee Plow	1
-	802373	12	Scraper Bar – RH - 10 Blade LP (Parts Only)	1
-	802363	11	Scraper Bar – LH - 8 Blade Levee Plow	1
-	802374	12	Scraper Bar – LH - 10 Blade LP (Parts Only)	1
-	411790	¼	Carriage Bolt -- 5/8" x 2" NC - Gr 5 - Zinc	2
-	413510	-	Lock Washer -- 5/8" - Zinc	2
-	412010	-	Hex Nut -- 5/8" - 11 - Gr 2 - Zinc	2
12	800202	4½	Levee Plow Scraper - RH (5 Blade Parts Only - 4)	3
-	800203	4½	Levee Plow Scraper - LH (5 Blade Parts Only - 4)	3
-	411785	-	Carriage Bolt -- 1/2" x 1½" NC - Gr. 5 - Zinc (5 Bld - 4) .	3
-	413508	-	Lock Washer -- 1/2" - Zinc (5 Blade - 4)	3
-	412008	-	Hex Nut -- 1/2" - 13 - Gr 2 - Zinc (5 Blade - 4)	3
13	800200	4½	End Scraper - RH - Levee Plow	1
-	800201	4½	End Scraper - LH - Levee Plow	1
-	411785	-	Carriage Bolt -- 1/2" x 1½" NC - Gr. 5 - Zinc	1
-	413508	-	Lock Washer -- 1/2" - Zinc	1
-	412008	-	Hex Nut -- 1/2" - 13 - Gr 2 - Zinc	1
14	800198	37	Bearing Riser - Levee Plow	1
-	411794	½	Carriage Bolt -- 3/4" x 3½" NC - Gr. 5 - Zinc	4
-	413512	-	Lock Washer -- 3/4" - Zinc	4
-	412012	-	Hex Nut -- 3/4" - 10 - Gr 2 - Zinc	4

0854 - 8 Blade Levee Plow

GANG FRAME

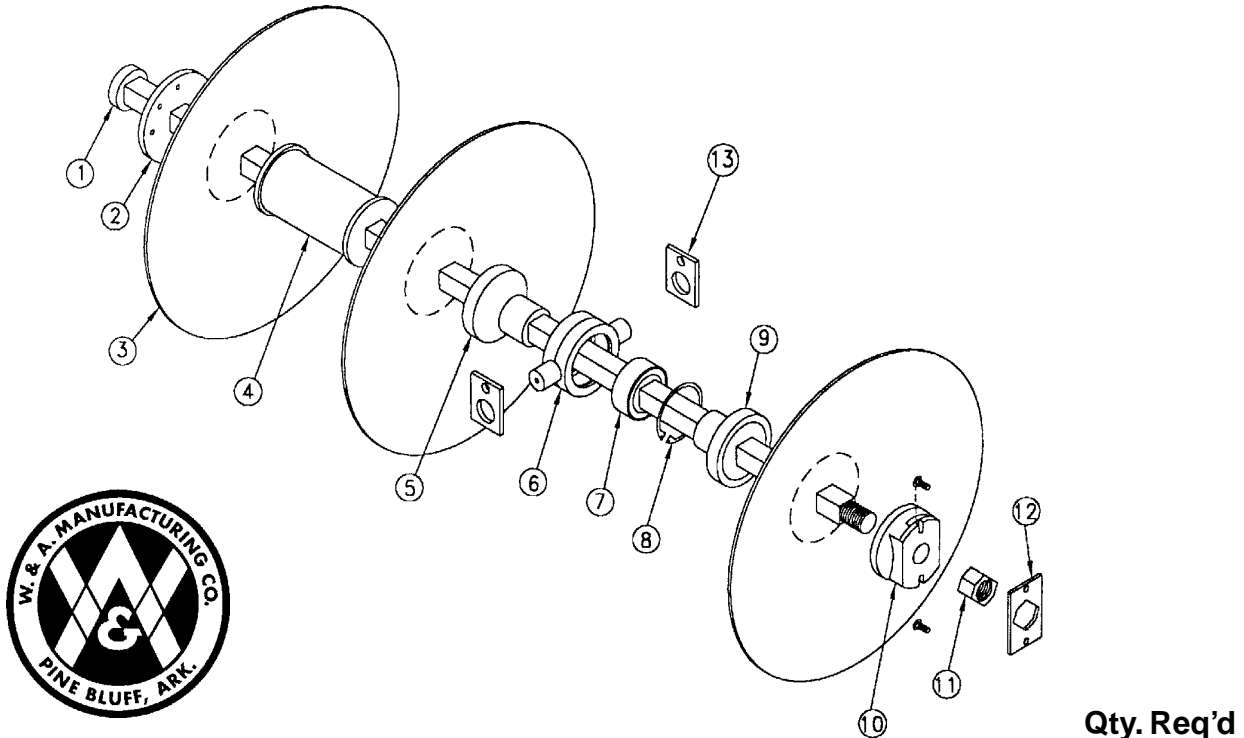
(Continued)



Item No.	Part No.	Wt. Lbs.	Description	Qty. Req'd for One Gang
15	800197	78	Gang Frame - 8 Blade Levee Plow	1
-	800205	97	Gang Frame - 10 Blade Levee Plow (Parts Only)	1
16	505019	13½	Complete Turnbuckle - 8 Blade Levee Plow	1
-	505020	16½	Complete Turnbuckle - 10 Blade LP (Parts Only)	1
17	802308	4	Turnbuckle Stud – LH - 1-3/8" x 9" - Levee Plow	1
-	416640	½	Clevis Pin -- 3/4" x 3" - Zinc	1
-	416309	-	Rue Ring Cotter Pin -- 1" - Zinc	1
18	800196	8½	Turnbuckle Body - 8 Blade Levee Plow - 11½"	1
-	800186	9	Turnbuckle Body - 10 Blade LP - 21-3/8" (Parts Only) .	1
-	450004	-	1/4" Drive-In Grease Fitting	2
19	800249	½	Jam Nut -- 1-3/8" NC (Adj) - Levee Plow Turnbuckle ..	1
20	802307	4	Turnbuckle Stud - RH - 1-3/8" x 9" - Levee Plow	1
-	416640	½	Clevis Pin -- 3/4" x 3" - Zinc	1
-	416309	-	Rue Ring Cotter Pin 1" - Zinc	1
21	800194	9	Draft Angle - Levee Plow	1
22	416662	1	Clevis Pin -- 1" x 3½" - Zinc	1
-	416309	-	Rue Ring Cotter Pin -- 1" - Zinc	1
23	802372	4½	Drilled Bolt -- 1¼" x 11" w/Grease Fitting	1
-	413020	-	Flat Washer -- 1¼" - Zinc	2
-	412120	½	Slotted Nut -- 1¼" - 7 - Gr. 2 - Reg. - Zinc	1
-	416005	-	Cotter Pin - 1/4" x 2" - Zinc	1
-	450004	-	1/4" Drive-In Grease Fitting	1
24	802304	3	Pivot Bracket Bushing x 9" - Levee Plow...(1¾" OD)	1

0854 - 8 Blade Levee Plow

GANG PARTS



Item No.	Part No.	Wt. Lbs.	Description	Qty. Req'd for One Gang
1	478114	21	1½" Sq. x 31¼" NF Axle w/Nut - 8 Blade Levee Plow	1
-	478115	26½	1½" Sq. x 40" NF Axle w/Nut - 10 Blade LP (Parts Only)	1
2	802384	7	Bumper Washer - Levee Plow	1
3	473230	41½	24" x 5/16" RFC Plain Blade - 1½" Sq. Ctr. Hole (5 Bld - 5)	4
4	800193	10½	Spacer Spool - 9" - Levee Plow	1
5	802005	7	Large End Bell - 4¼" - Levee Plow	2
6	802006	7	Bearing Housing - Levee Plow	2
-	505001	9½	Bearing & Housing Assembly - Levee Plow	2
7	481213	2½	Bearing - 1½" Sq. Bore - GW211PP3	2
8	483393	-	Retaining Ring - LP & 1½" Axle Bedder	2
9	802004	6	Small End Bell - 3¼" - Levee Plow	2
10	802256	6½	End Gang Washer - Levee Plow	1
11	412824	1	Hex Nut -- 1½" - 12 - Gr. 5 - Zinc	1
12	802340	1	Lock Plate - Levee Plow	1
-	411711	-	Carriage Bolt -- 3/8" x 1" NC - Gr. 2 - Zinc	2
-	413506	-	Lock Washer -- 3/8" - Zinc	2
-	412006	-	Hex Nut -- 3/8" - 16 - Gr 2 - Zinc	2
13	802044	1	Trunion Housing Clamp - Levee Plow	4
-	411790	-	Carriage Bolt -- 5/8" x 2" NC - Gr 5 - Zinc	4
-	412010	-	Hex Nut -- 5/8" - 11 - Gr 2 - Zinc	4
-	413510	-	Lock Washer -- 5/8" - Zinc	4