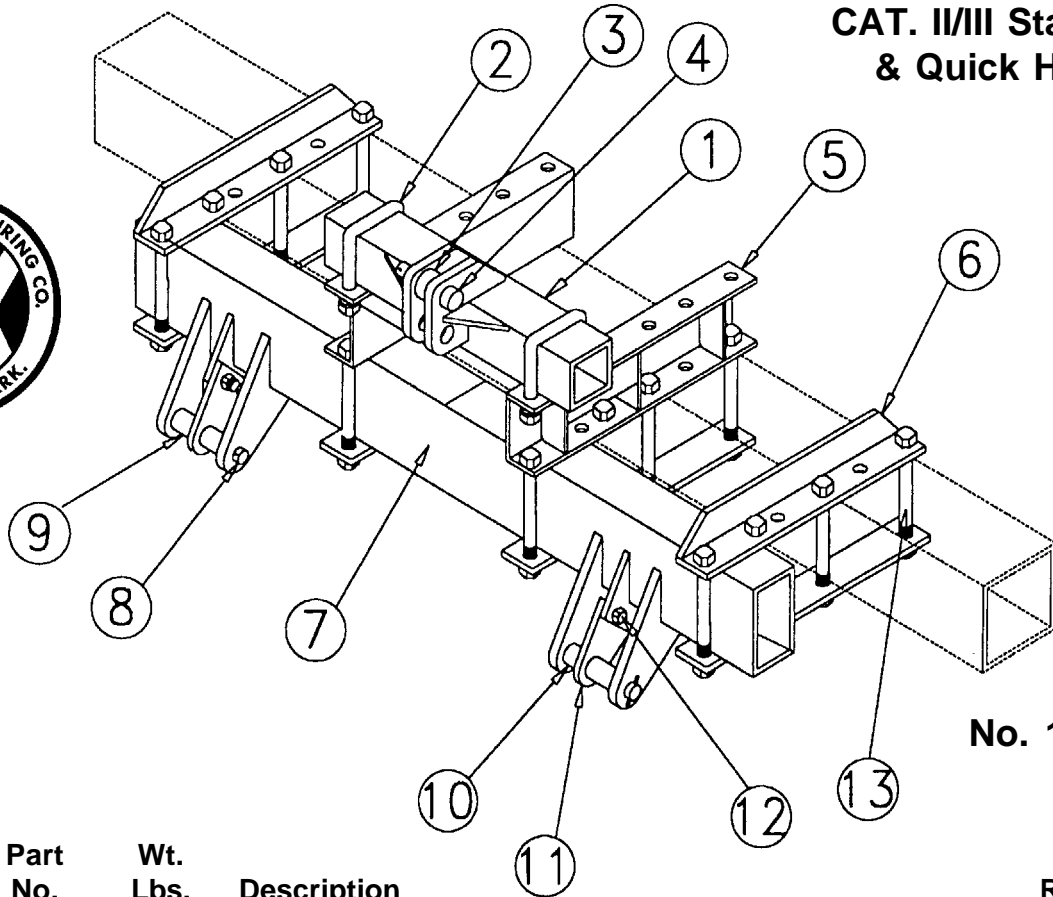


# HITCHES

**Model Nos. 1428, 1429, 1430, 1442, 1443, 1444**

# 1428 POINT HITCH FOR 7x7 BAR

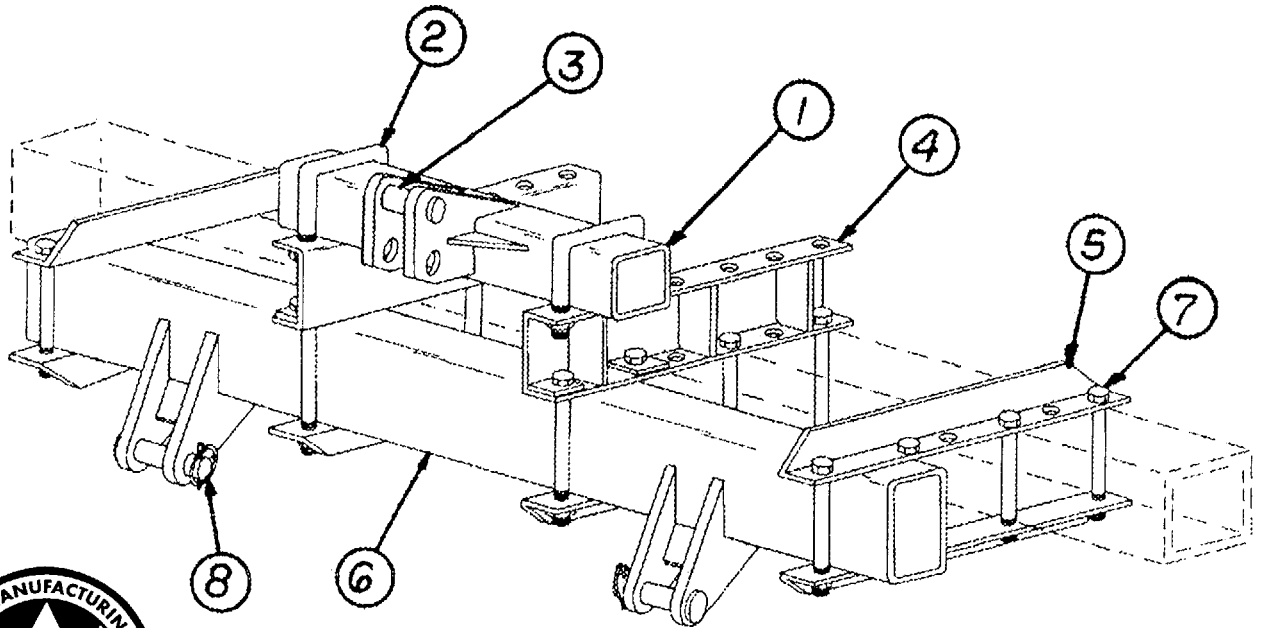
CAT. II/III Standard  
& Quick Hitch



No. 1428

Item No.	Part No.	Wt. Lbs.	Description	Qty. Req'd.
1	300276	55	Mast Top -- 1428 Hitch .....	1
2	415018	2	7/8" Sq. U-Bolt x 4" x 6½" Leg .....	2
-	413514	-	Lock Washer -- 7/8" - Zinc .....	20
-	412014	-	Hex Nut -- 7/8" - 9 - Gr 2 - Zinc .....	20
3	201799	-	Cat III Bushing -- 1¼" OD x 2-1/8" Long .....	1
4	416666	2	Clevis Pin -- 1" x 4½" - Zinc .....	1
-	416309	-	Rue Ring Cotter Pin -- 1" - Zinc .....	3
5	301037	24½	Mast Side -- Hitch .....	2
6	201601	16	Angle Support - RH - Hitch .....	3
-	201602	16	Angle Support - LH - Hitch .....	3
7	301050	170	Pull Piece Bracket -- 3P728 Hitch (60") .....	1
8	201360	2½	Hitch Pin -- 1-1/8" x 9" .....	2
9	201666	-	Bushing -- 1½" OD x 1-1/8" ID x 3-1/8" Long .....	2
10	201665	-	Bushing -- 1-7/16" OD x 1-1/8" ID x 2" Long .....	2
11	201548	3	Center Pull Plate - Hitch .....	2
12	411214	¼	Hex Bolt -- 5/8 x 2" NC - Gr 2 - Zinc .....	4
-	413510	-	Lock Washer -- 5/8" - Zinc .....	4
-	412010	-	Hex Nut -- 5/8" - 11 - Gr 2 - Zinc .....	4
13	411294	1¾	Hex Bolt -- 7/8" x 10" NC - Gr 2 - Zinc .....	16

# 1429, 1430 - CAT III HITCH FOR 7" SQ. BAR

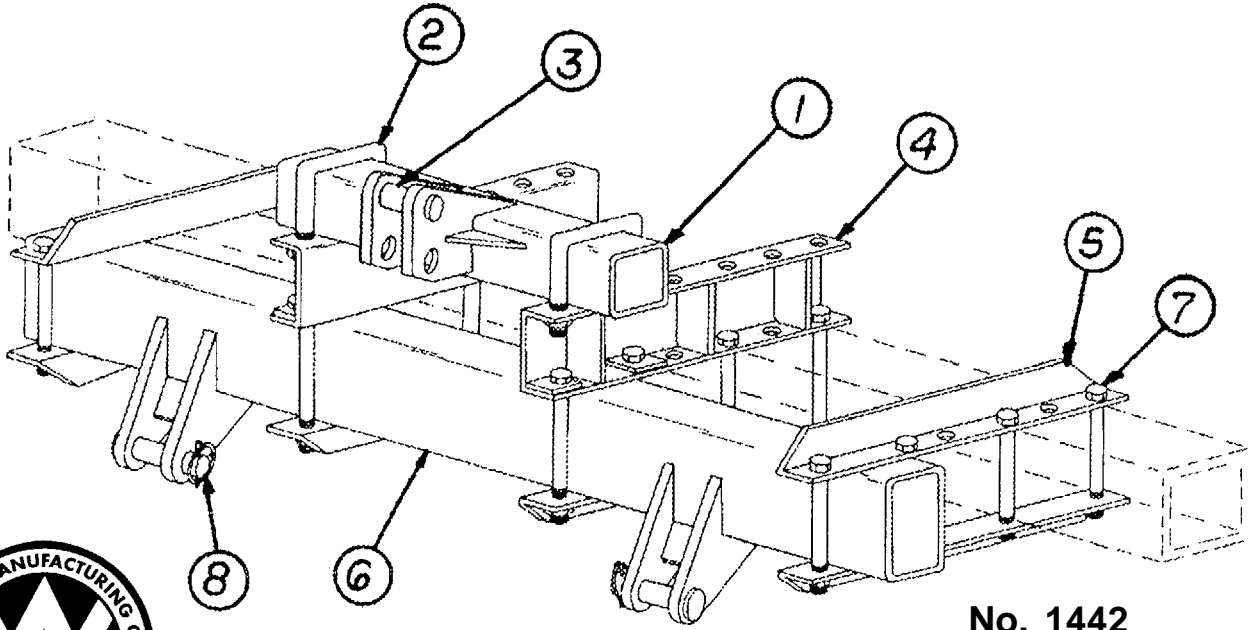


## Cat. III Standard & Quick Hitch

No. 1429  
No. 1430

Item No.	Part No.	Wt. Lbs.	Description	Qty. Required	
				1429	1430
1	300279	47½	Mast Top – Cat III - Hitch .....	1	1
2	415018	2	7/8" Sq. U-Bolt x 4" x 6½" Leg .....	2	2
-	413514	-	Lock Washer -- 7/8" - Zinc .....	20	20
-	412014	-	Hex Nut -- 7/8" - 9 - Gr 2 - Zinc .....	20	20
3	416698	1	1¼" Top Link Pin - Zinc.....(6½") .....	1	1
-	416207	1	Klik Pin -- 7/16" - Zinc .....	1	1
4	301037	26½	Mast Side - Hitch .....	2	2
5	201601	15¼	Angle Support - RH - Hitch .....	3	3
-	201602	15¼	Angle Support - LH - Hitch .....	3	3
6	300839	146	Pull Piece Bracket -- Cat III (60") .....	1	-
-	300843	146	Pull Piece Bracket -- Cat III Narrow (60") .....	1	-
-	300845	171	Pull Piece Bracket -- Cat III (72") .....	-	1
7	411294	1¾	Hex Bolt -- 7/8" x 10" NC - Gr 2 - Zinc.....	16	16
8	300837	2¾	Pull Pin -- 1-7/16" x 6" .....	2	2
-	416207	1	Klik Pin -- 7/16" - Zinc .....	2	2

# 1442, 1443, 1444 - WIDE CAT III HITCH FOR 7" SQ. BAR



## Cat. III Standard & Quick Hitch

**No. 1442**  
**No. 1443**  
**No. 1444**

Item No.	Part No.	Wt. Lbs.	Description	Qty. Required		
				1442	1443	1444
1	300279	47½	Mast Top – Cat III - Hitch .....	1	1	1
2	415018	2	7/8" Sq. U-Bolt x 4" x 6½" Leg .....	2	2	2
-	413514	-	Lock Washer -- 7/8" - Zinc .....	28	36	28
-	412014	-	Hex Nut -- 7/8" - 9 - Gr 2 - Zinc .....	28	36	28
3	416698	1	1¼" Top Link Pin - Zinc.....(6½") .....	1	1	1
-	416207	1	Klik Pin -- 7/16" - Zinc .....	1	1	1
4	301037	26½	Mast Side - Hitch .....	2	2	2
5	201601	15¼	Angle Support - RH - Hitch .....	5	7	5
-	201602	15¼	Angle Support - LH - Hitch .....	5	7	5
6	301047	416	Pull Piece Bracket - Cat III.....(3/8" Wall x 190") ..	1	-	-
-	301369	525	Pull Piece Bracket - Cat III Narrow..(1/2" Wall x 190") ..	-	1	-
-	301373	429	Pull Piece Bracket - Cat III.....(3/8" Wall x 196") ..	-	-	1
7	411294	1¾	Hex Bolt -- 7/8" x 10" NC - Gr 2 - Zinc.....	24	32	24
8	300837	2¾	Pull Pin -- 1-7/16" x 6" .....	2	2	2
-	416207	1	Klik Pin -- 7/16" - Zinc .....	2	2	2