



# Table of Contents

Click the Toolbar model number below for a  
Parts Manual for each model.

## **1251 & 1252 - 8 Row 38" Planter & 8 Row 40"/42" Transplanter**

- Pages 3 - 6

## **1265 & 1267 - 12 Row 30" Bedder & 12 Row 30" Cultivator**

- Pages 7 - 11

## **1266- 12 Row 30" Planter**

- Pages 12 - 16

## **1268 - 12 Row 36" Planter**

- Pages 17 - 21

## **1270, 1271, 1274 - 12 Row 38"/40" & 16 Row 30" Planter**

- Pages 22 - 27

## **1272 - 12 Row Top Leveling Toolbar**

- Pages 28 - 31

## **1273, 1275 - 12 Row 38" Cultivator & 12 Row 40" Bedder**

- Pages 32 - 37

## **1278 - 16 Row 30" Cultivator**

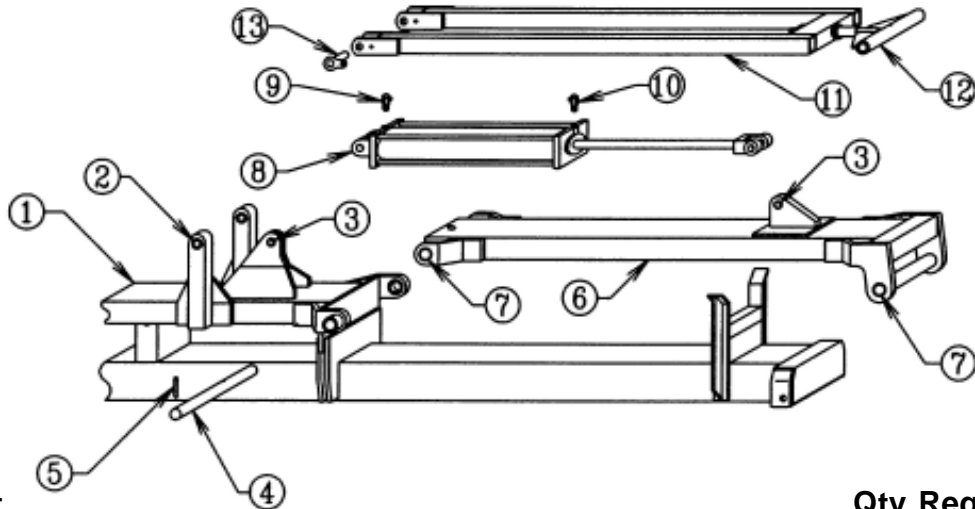
- Pages 38 - 41



# **STACKER TOOLBAR TOP LEVELING MODEL**

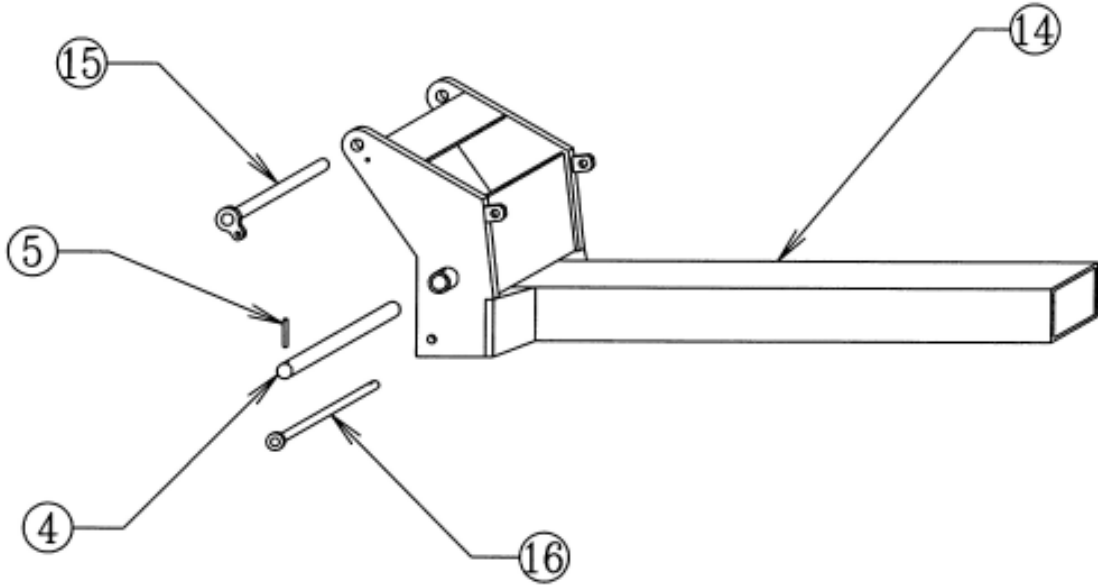
**Model No. 1252 -- 8 @ 38" Row - Planter**  
**Model No. 1253 -- 8 @ 40"/42" Row - Transplanter**

# CENTER SECTION



Item No.	Part No.	Wt. Lbs.	Description	Qty. Req'd	
				1252	1253
1	301897	740	Center Sect. – 38" Row Planter.....(153" Wide) .....	1	-
-	301902	823	Center Sect. – 40"/42" Row Transplanter....(167" Wide) .....	-	1
2	401084	¼	Form 1 Bushing -- 1½" OD x 1¼" ID x 1½" Long .....	4	4
3	401080	¼	Form 1 Bushing -- 1½" OD x 1¼" ID x 1" Long .....	4	4
4	203948	14¼	2" Pivot Pin x 16¼" .....	4	4
-	413124	-	Machine Washer -- 3" OD x 2" ID x 10 Ga.....(Not Illustrated) ...	8	8
5	416133	-	Roll Pin -- 1/2" x 3½" - Zinc.....	4	4
6	301894	206	Power Arm -- 38" Planter & 40/42" Transplanter .....	2	2
7	401118	½	Bushing -- 2.376" OD x 2.006" ID x 2" Long .....	8	8
-	450004	-	1/4" Drive-in Grease Fitting.....(Not Illustrated) ...	4	4
8	476524	110	Hydraulic Cylinder -- 5" x 24" (w/1¼" Pin).....	2	2
-	477056	-	Seal Kit -- 5" x 24" & 5" x 30" Lion Cyl - 2" Rod.....(Not Illustrated) ...	-	1
9	446188	¼	1/2" x 1/2" Swivel Orifice Elbow .....	2	2
10	446188	¼	1/2" x 1/2" Swivel Orifice Elbow .....	2	2
-	785092	½	3/8" Hydraulic Hose x 92".....(Not Illustrated) ...	2	-
-	785103	½	3/8" Hydraulic Hose x 103".....(Not Illustrated) ...	2	-
-	785099	-	3/8" Hydraulic Hose x 99".....(Not Illustrated) ...	-	2
-	785110	-	3/8" Hydraulic Hose x 110".....(Not Illustrated) ...	-	2
11	301821	59	Leveling Arm -- For 1½" Dia. Rod .....	2	2
12	301819	19¾	Leveling Arm End with Lock Nut – 1½" Dia. Rod .....	2	2
-	410032	1	Lock Nut -- 1½" NF Top Lock - Zinc.....(Not Illustrated) ...	2	2
-	413024	¼	Flat Washer -- 1½" - Zinc.....(Not Illustrated) ...	2	2
-	413120	-	Machine Washer -- 2¼" OD x 1½" ID x 10 Ga.....(Not Illustrated) ...	2	2
-	450004	-	1/4" Drive-in Grease Fitting.....(Not Illustrated) ...	2	2
-	401095	-	Form 1 Bushing -- 1-7/8" OD x 1½" ID x 1" Long.(Not Illustrated) ...	4	4
13	301824	1¾	Small Pin -- 1-1/4" x 2½" Stacker Bar .....	4	4
-	411545	-	Hex Bolt -- 1/2" x 1½" NC - Gr 5 - Zinc.....(Not Illustrated) ...	4	4
-	413508	-	Lock Washer -- 1/2" - Zinc.....(Not Illustrated) ...	4	4
-	413008	-	Flat Washer -- 1/2" - Zinc.....(Not Illustrated) ...	4	4

# WING



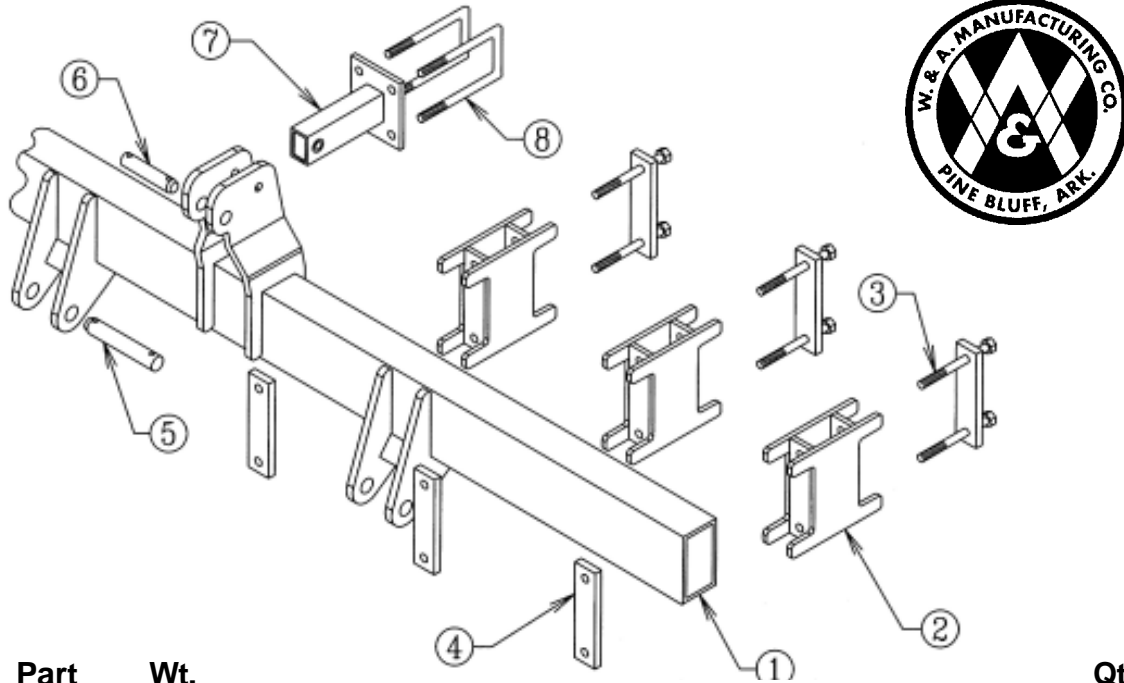
<u>Item No.</u>	<u>Part No.</u>	<u>Wt. Lbs.</u>	<u>Description</u>	<u>Qty. Req'd</u>
4	203948	14¼	2" Pivot Pin x 16¼" .....	4
-	413124	-	Machine Washer -- 3" OD x 2" ID x 10 Ga.....(Not Illustrated) ...	8
5	416133	-	Roll Pin -- 1/2" x 3½" - Zinc.....	4
14	301898	352	Wing for 38" Row Planter .....	2
-	301903	374	Wing for 40" & 42" Row Transplanter (84").....(Not Illustrated) ...	2
15	301825	8	Top Pin -- Top Leveling Stackers .....	2
-	411545	-	Hex Bolt -- 1/2" x 1½" NC - Gr 5 - Zinc.....(Not Illustrated) ..	2
-	413508	-	Lock Washer -- 1/2" - Zinc.....(Not Illustrated) ...	2
-	413008	-	Flat Washer -- 1/2" - Zinc.....(Not Illustrated) ..	2
16	301826	3½	Wing Lock Pin -- Top Leveling Stackers .....	2
-	416204	-	Klik Pin -- 1/4" - Zinc.....(Not Illustrated) ...	2

**USE ONLY**



**W & A REPLACEMENT PARTS**

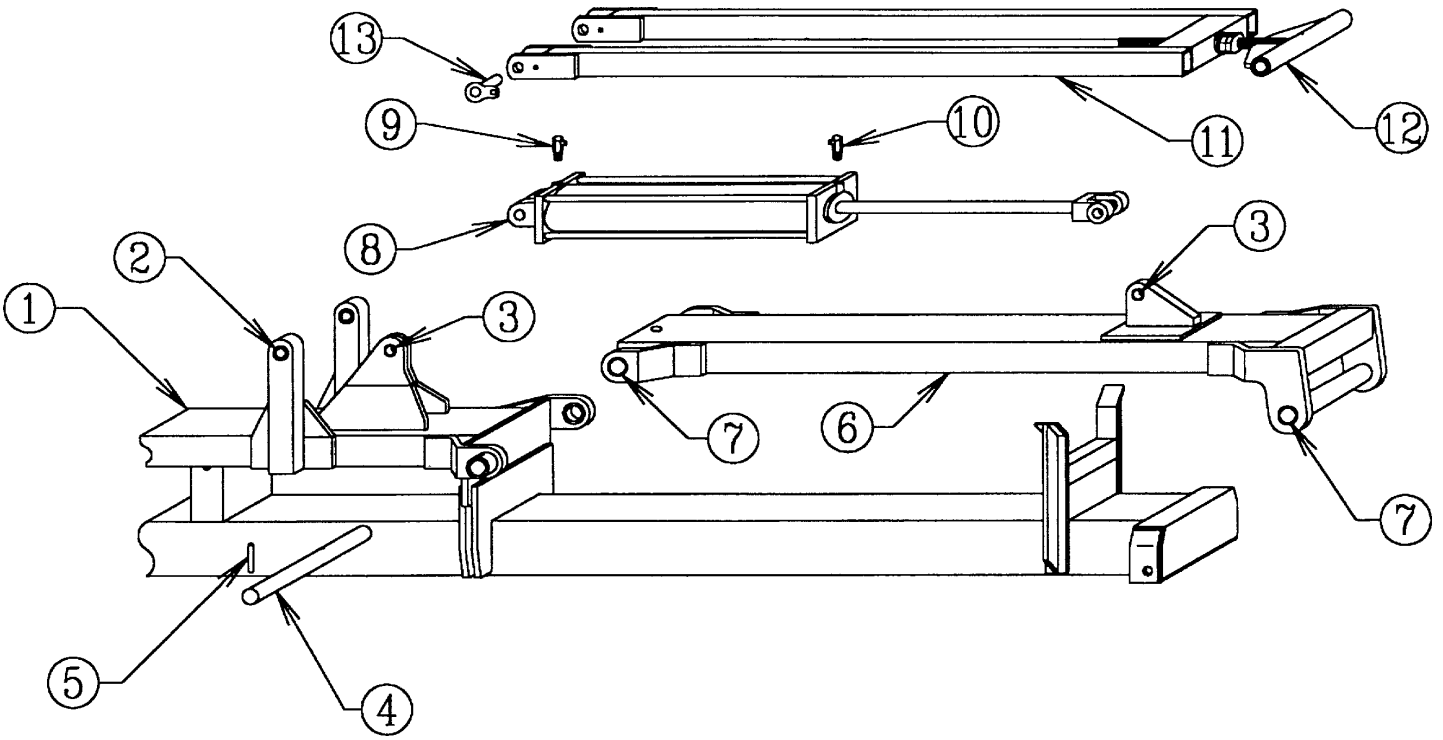
# HITCH ASSEMBLY



Item No.	Part No.	Wt. Lbs.	Description	Qty. Req'd
1	301904	282	Stacker Hitch – 8 Row.....(102").....	1
2	302014	25	5" Spacer Block -- Top Leveling Stacker .....	6
3	203960	5	Backing Plate -- Top Leveling Stacker .....	6
-	411604	1¼	Hex Bolt -- 3/4" x 10" NC - Gr 5 - Zinc.....	12
-	412012	-	Hex Nut -- 3/4" - 10 - Gr 2 - Zinc.....(Not Illustrated) ..	12
-	413512	-	Lock Washer -- 3/4" - Zinc.....(Not Illustrated) ..	12
4	203960	5	Backing Plate -- Top Leveling Stacker .....	6
-	411598	½	Hex Bolt -- 3/4" x 6½" NC - Gr 5 - Zinc.....(Not Illustrated) ..	12
-	412012	-	Hex Nut -- 3/4" - 10 - Gr 2 - Zinc.....(Not Illustrated) ..	12
-	413512	-	Lock Washer -- 3/4" - Zinc.....(Not Illustrated) ..	12
5	200876	3¾	Hardened Pull Pin -- 1-7/16" x 8-3/8" - Zinc .....	2
-	416207	-	Klik Pin -- 7/16" - Zinc.....(Not Illustrated) ..	2
-	416133	-	Roll Pin -- 1/2" x 3½" - Zinc.....(Not Illustrated) ..	2
6	200853	2	Hardened Top Link Pin -- 1¼" x 5-15/16" - Zinc .....	1
-	416207	-	Klik Pin -- 7/16" - Zinc.....(Not Illustrated) ..	1
-	416120	-	Roll Pin -- 3/8" x 2" - Zinc.....(Not Illustrated) ..	1
7	301906	10¾	Top Connector – 8 Row @ 38" Only.....(Not Illustrated) ..	1
-	301836	11	Top Connector -- 5" Spacer - Hitch Assm .....	1
-	411822	¾	Hex Bolt -- 3/4" x 5" NC - Gr 8 - Zinc.....(Not Illustrated) ..	1
-	412012	-	Hex Nut -- 3/4" - 10 - Gr 2 - Zinc.....(Not Illustrated) ..	1
-	413512	-	Lock Washer -- 3/4" - Zinc.....(Not Illustrated) ..	1
8	415006	2	3/4" Sq. U-Bolt x 4" x 8½" Leg - Gr 5 - Zinc .....	2
-	412012	-	Hex Nut -- 3/4" - 10 - Gr 2 - Zinc.....(Not Illustrated) ..	4
-	413512	-	Lock Washer -- 3/4" - Zinc.....(Not Illustrated) ..	4

# **TOP LEVELING STACKER TOOLBAR**

**Model No. 1265 Twelve @ 30" Row Bedder  
Model No. 1267 Twelve @ 30" Row Cultivator**

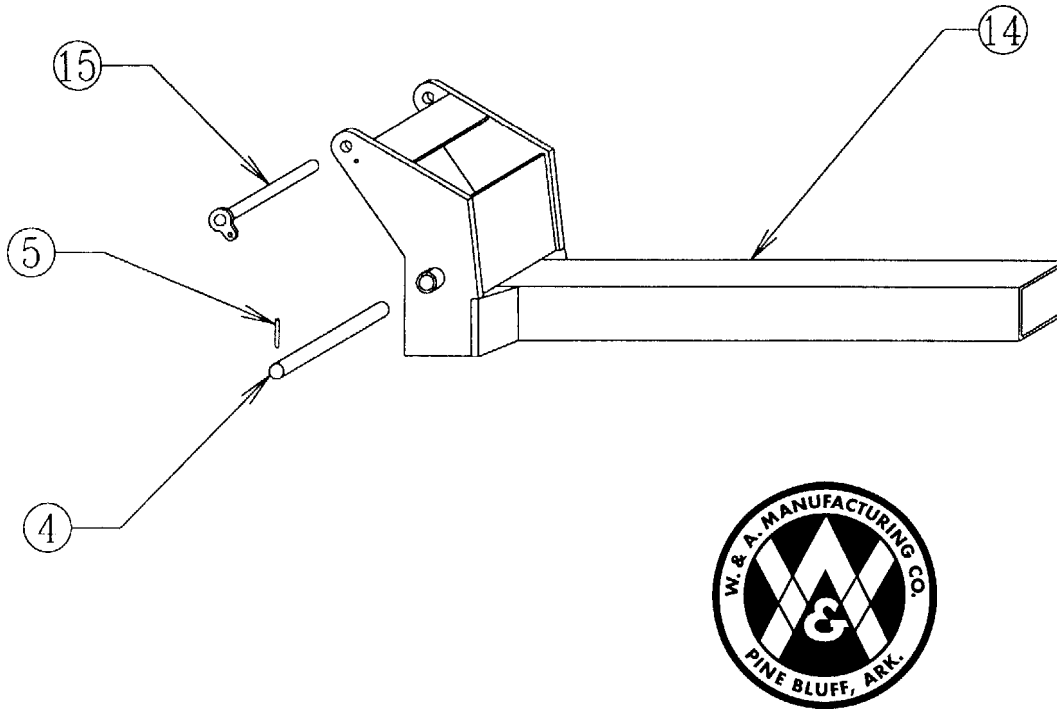




# CENTER SECTION

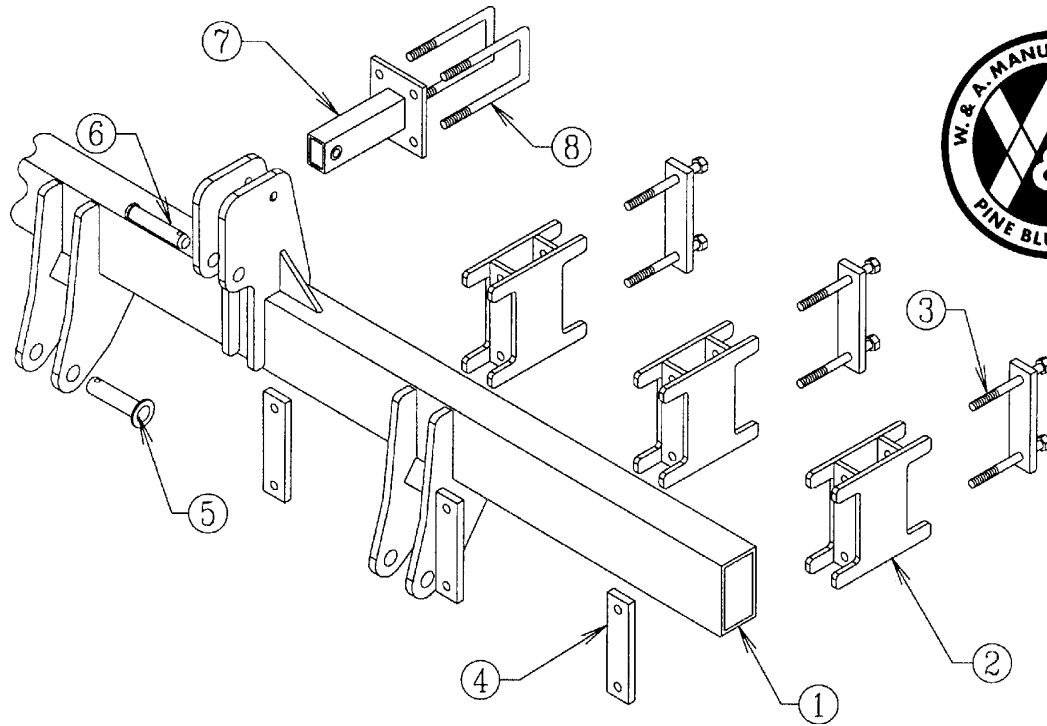
<u>Item No.</u>	<u>Part No.</u>	<u>Wt. Lbs.</u>	<u>Description</u>	<u>Qty. Req'd</u>
1	301908	981	Center Section – 12 @ 30" Bedder & Cult....(200" Wide) ...	1
2	401084	¼	Form 1 Bushing -- 1-1/2" OD x 1-1/4" ID x 1-1/2" Long.....	4
3	401080	¼	Form 1 Bushing -- 1-1/2" OD x 1-1/4" ID x 1" Long .....	4
4	203948	14¼	2" Pivot Pin x 16-1/4" .....	4
-	413124	-	Machine Washer -- 3" OD x 2" ID x 10 Ga .....	8
5	416133	-	Roll Pin -- 1/2" x 3-1/2" - Zinc .....	4
6	301894	206	Power Arm .....	2
7	401118	½	Bushing -- 2.376" OD x 2.006" ID x 2" Long .....	8
-	450004	-	1/4" Drive-in Grease Fitting .....	4
8	476524	110	Hydraulic Cylinder -- 5" x 24" (w/1-1/4" Pin) .....	2
-	477056	-	Seal Kit -- 5" x 24" & 5" x 30" Lion Cyl (2" Rod) .....	-
9	446188	¼	1/2" x 1/2" Swivel Orifice Elbow .....	2
10	444024	¼	Swivel, ½" x ½" .....	2
-	785115	½	3/8" Hydraulic Hose x 115" .....	2
-	785126	½	3/8" Hydraulic Hose x 126" .....	2
11	301821	59	Leveling Arm (For 1½" Dia. Rod) .....	2
12	301819	19¾	Leveling Arm End – 1½" Dia.Rod .....	2
-	410032	1	Lock Nut -- 1-1/2" NF Nylon Insert - Zinc .....	2
-	412024	¾	Hex Nut -- 1-1/2" - 6 - Gr 2 - Zinc .....	2
-	413120	-	Machine Washer -- 1-1/2" ID x 10 Ga .....	2
-	450004	-	1/4" Drive-in Grease Fitting .....	2
-	401095	-	Form 1 Bushing -- 1-7/8" OD x 1-1/2" ID x 1"Long .....	4
13	301824	1¾	Small Pin -- 1-1/4" x 2-1/2" Stacker Bar .....	4
-	411545	-	Hex Bolt -- 1/2" x 1-1/2" NC - Gr 5 - Zinc .....	4
-	413508	-	Lock Washer -- 1/2" - Zinc .....	4

# WING



<u>Item No.</u>	<u>Part No.</u>	<u>Wt. Lbs.</u>	<u>Description</u>	<u>Qty. Req'd</u>
4	203948	14¼	2" Pivot Pin x 16-1/4" .....	4
-	413124	-	Machine Washer -- 3" OD x 2" ID x 10 Ga .....	8
5	416133	-	Roll Pin -- 1/2" x 3-1/2" - Zinc .....	4
14	301909	374	Wing for 12 @ 30" Row Bedder & Cultivator.....(88") .....	2
15	301825	8	Top Pin -- Top Leveling Stacker .....	2
-	411545	-	Hex Bolt -- 1/2" x 1-1/2" NC - Gr 5 - Zinc .....	2
-	413508	-	Lock Washer -- 1/2" - Zinc .....	2
16	301826	3½	Wing Lock Pin -- Top Leveling Stacker .....	2
-	416204	-	1/4" Klik Pin - Zinc .....	2

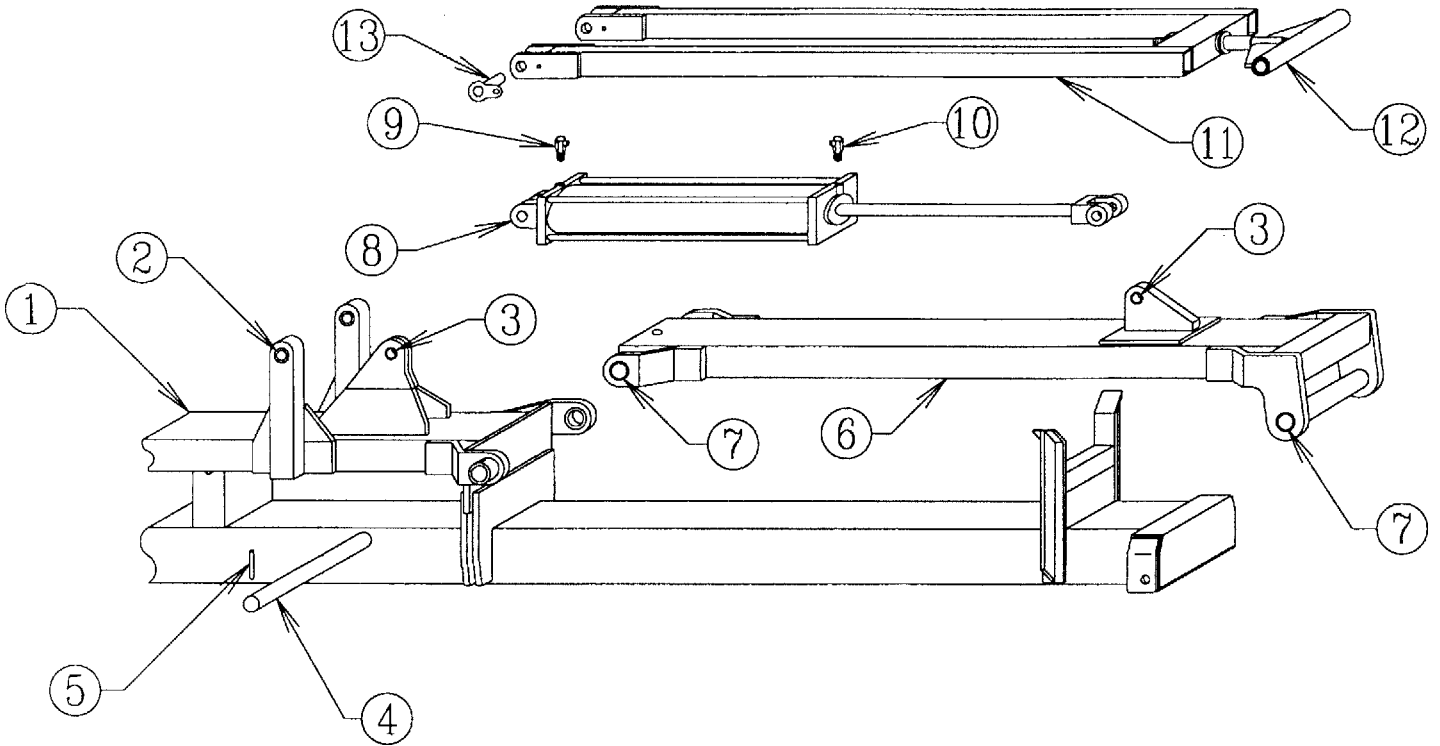
# HITCH ASSEMBLY



<u>Item No.</u>	<u>Part No.</u>	<u>Wt. Lbs.</u>	<u>Description</u>	<u>Qty. Req'd</u> <u>Bedder Cult.</u>	
1	301835	411	Stacker Cultivator Hitch – 12 Row @ 30" ..(140") .....	-	1
-	301833	366	Wide Hitch -- Bedder.....(140") .....	1	-
2	302014	25	5" Spacer Block .....	-	6
-	301831	32¼	7½" Spacer Block .....	6	-
3	411604	1¼	Hex Bolt -- ¾" x 10" NC - Gr 5 - Zinc .....	12	12
-	412012	-	Hex Nut -- ¾" - 10 - Gr 2 - Zinc .....	12	12
-	413512	-	Lock Washer -- ¾" - Zinc.....	12	12
4	203960	5	Backing Plate .....	12	12
-	411598	½	Hex Bolt -- ¾" x 6-1/2" NC - Gr 5 - Zinc .....	12	12
-	412012	-	Hex Nut -- ¾" - 10 - Gr 2 - Zinc .....	12	12
-	413512	-	Lock Washer -- ¾" - Zinc.....	12	12
5	300837	3	Pull Pin -- 1-7/16" x 6" .....	2	2
-	416207	-	7/16" Klik Pin - Zinc .....	3	3
6	416698	2	1-1/4" Top Link Pin - Zinc .....	1	1
-	416207	-	7/16" Klik Pin - Zinc .....	1	1
7	301834	12¾	Top Connector -- 7½" Spacer Block .....	1	-
-	301836	11	Top Connector -- 5" Spacer Blocks.....	-	1
-	411594	¾	Hex Bolt -- ¾" x 5" NC - Gr 5 - Zinc .....	1	1
-	412012	-	Hex Nut -- ¾" - 10 - Gr 2 - Zinc .....	1	1
-	413512	-	Lock Washer -- ¾" - Zinc.....	1	1
8	415006	2	¾" Sq. U-Bolt x 4" x 8-1/2" Leg .....	2	2
-	412012	-	Hex Nut -- ¾" - 10 - Gr 2 - Zinc .....	4	4
-	413512	-	Lock Washer -- ¾" - Zinc.....	4	4

# **12 ROW 30" TOP LEVELING PLANTER STACKER TOOLBAR**

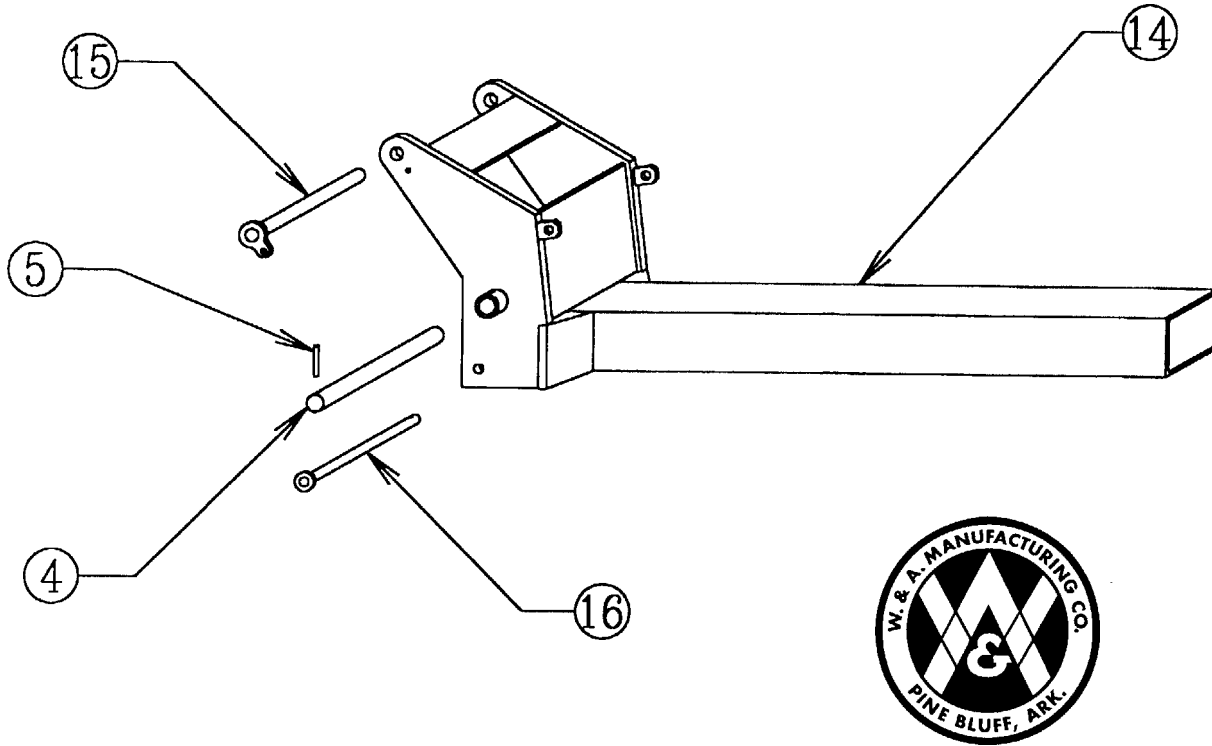
**Model No. 1266**



# CENTER SECTION

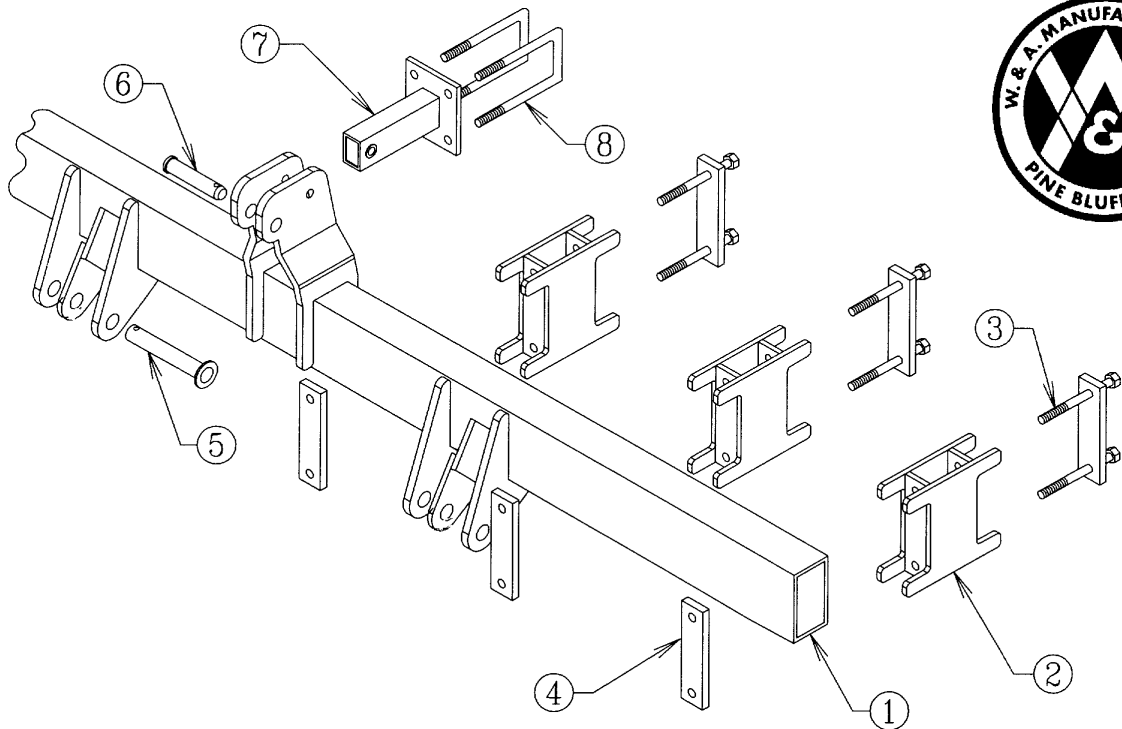
<u>Item No.</u>	<u>Part No.</u>	<u>Wt. Lbs.</u>	<u>Description</u>	<u>Qty. Req'd</u>
1	301899	876	Center Sect. – 12 Row @ 30" Planter.....(178" Wide) .....	1
2	401084	¼	Form 1 Bushing -- 1-1/2" OD x 1-1/4" ID x 1-1/2" Long.....	4
3	401080	¼	Form 1 Bushing -- 1-1/2" OD x 1-1/4" ID x 1" Long .....	4
4	203948	14¼	2" Pivot Pin x 16-1/4" .....	4
-	413124	-	Machine Washer -- 3" OD x 2" ID x 10 Ga .....	8
5	416133	-	Roll Pin -- 1/2" x 3-1/2" - Zinc .....	4
6	301894	206	Power Arm .....	2
7	401118	½	Bushing -- 2.376" OD x 2.006" ID x 2" Long .....	8
-	450004	-	1/4" Drive-in Grease Fitting .....	4
8	476524	110	Hydraulic Cylinder -- 5" x 24" (w/1-1/4" Pin) .....	2
-	477056	-	Seal Kit -- 5" x 24" & 5" x 30" Lion Cyl (2" Rod) .....	-
9	446188	¼	1/2" x 1/2" Swivel Orifice Elbow .....	2
10	444024	¼	Swivel, ½" x ½" .....	2
-	785104	½	3/8" Hydraulic Hose x 104" .....	2
-	785110	½	3/8" Hydraulic Hose x 110" .....	2
11	301821	59	Leveling Arm (For 1½" Dia. Rod) .....	2
12	301819	19¾	Leveling Arm End – 1½" Dia.Rod .....	2
-	410032	1	Lock Nut -- 1-1/2" NF Nylon Insert - Zinc .....	2
-	413024	¼	Flat Washer -- 1-1/2" - Zinc .....	2
-	413120	-	Machine Washer -- 1-1/2" ID x 10 Ga .....	2
-	450004	-	1/4" Drive-in Grease Fitting .....	2
-	401095	-	Form 1 Bushing -- 1-7/8" OD x 1-1/2" ID x 1"Long .....	4
13	301824	1¾	Small Pin -- 1-1/4" x 2-1/2" Stacker Bar .....	4
-	411545	-	Hex Bolt -- 1/2" x 1-1/2" NC - Gr 5 - Zinc .....	4
-	413508	-	Lock Washer -- 1/2" - Zinc .....	4

# WING



Item No.	Part No.	Wt. Lbs.	Description	Qty. Req'd
4	203948	14¼	2" Pivot Pin x 16-1/4" .....	4
-	413124	-	Machine Washer -- 3" OD x 2" ID x 10 Ga .....	8
5	416133	-	Roll Pin -- 1/2" x 3-1/2" - Zinc .....	4
14	301900	379	Wing for 12 Row @ 30" Planter .....	2
15	301825	8	Top Pin -- Top Leveling Stacker .....	2
-	411545	-	Hex Bolt -- 1/2" x 1-1/2" NC - Gr 5 - Zinc .....	2
-	413508	-	Lock Washer -- 1/2" - Zinc .....	2
16	301826	3½	Wing Lock Pin -- Top Leveling Stacker .....	2
-	416204	-	1/4" Klik Pin - Zinc .....	2

# HITCH ASSEMBLY

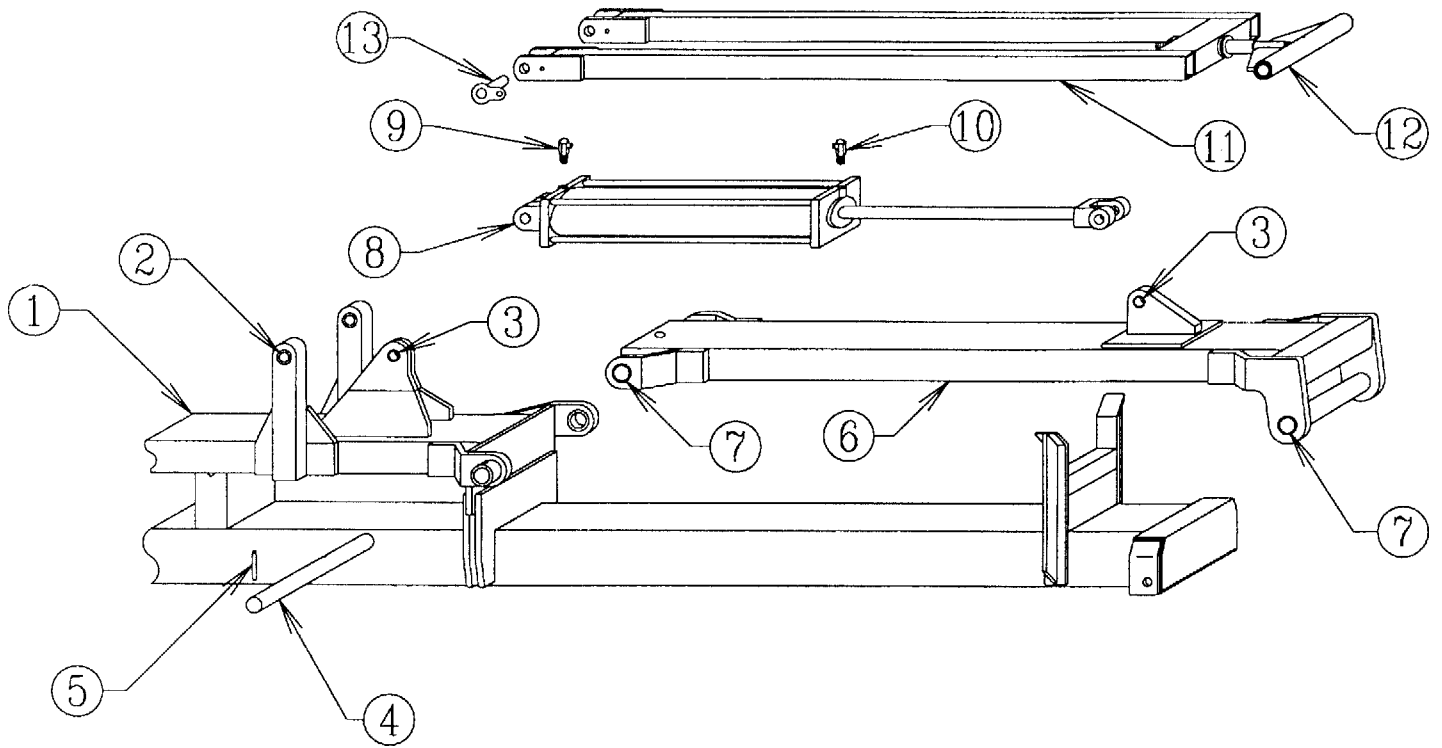


<b>Item No.</b>	<b>Part No.</b>	<b>Wt. Lbs.</b>	<b>Description</b>	<b>Qty. Req'd</b>
1	301832	369	Wide Stacker Hitch -- Cat III & III Narrow (140") .....	1
2	302014	25	5" Spacer Block .....	6
3	411604	1¼	Hex Bolt -- 3/4" x 10" NC - Gr 5 - Zinc .....	12
-	412012	-	Hex Nut -- 3/4" - 10 - Gr 2 - Zinc .....	12
-	413512	-	Lock Washer -- 3/4" - Zinc .....	12
4	203960	5	Backing Plate .....	12
-	411598	½	Hex Bolt -- 3/4" x 6-1/2" NC - Gr 5 - Zinc .....	12
-	412012	-	Hex Nut -- 3/4" - 10 - Gr 2 - Zinc .....	12
-	413512	-	Lock Washer -- 3/4" - Zinc .....	12
5	300841	4	Pull Pin -- 1-7/16" x 9" .....	2
-	416207	-	7/16" Klik Pin - Zinc .....	3
6	416698	2	1-1/4" Top Link Pin - Zinc .....	1
-	416207	-	7/16" Klik Pin - Zinc .....	1
7	301906	10¾	Top Connector -- 8 Row @ 38" Only.....(Not Illustrated) .....	1
-	301836	11	Top Connector -- 5" Spacer Blocks .....	1
-	411594	¾	Hex Bolt -- 3/4" x 5" NC - Gr 5 - Zinc .....	1
-	412012	-	Hex Nut -- 3/4" - 10 - Gr 2 - Zinc .....	1
-	413512	-	Lock Washer -- 3/4" - Zinc .....	1
8	415006	2	3/4" Sq. U-Bolt x 4" x 8-1/2" Leg .....	2
-	412012	-	Hex Nut -- 3/4" - 10 - Gr 2 - Zinc .....	4
-	413512	-	Lock Washer -- 3/4" - Zinc .....	4



# **12 ROW 36” PLANTER STACKER TOOLBAR**

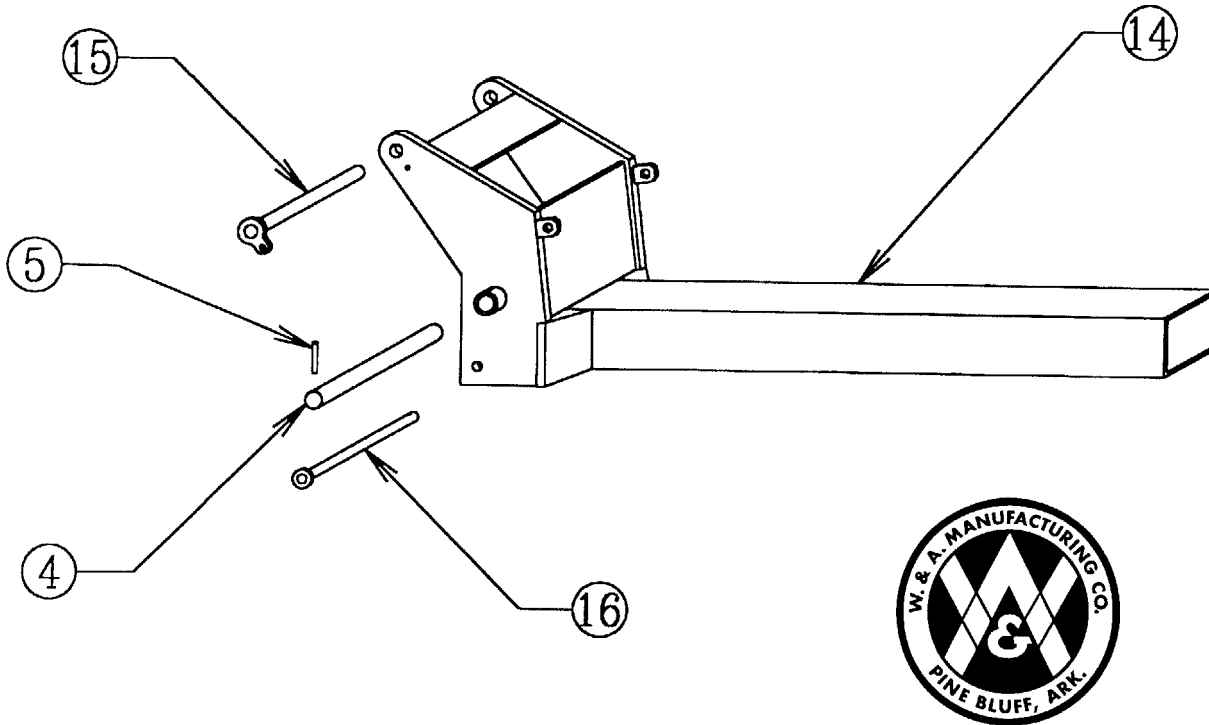
**Model No. 1268**



# CENTER SECTION

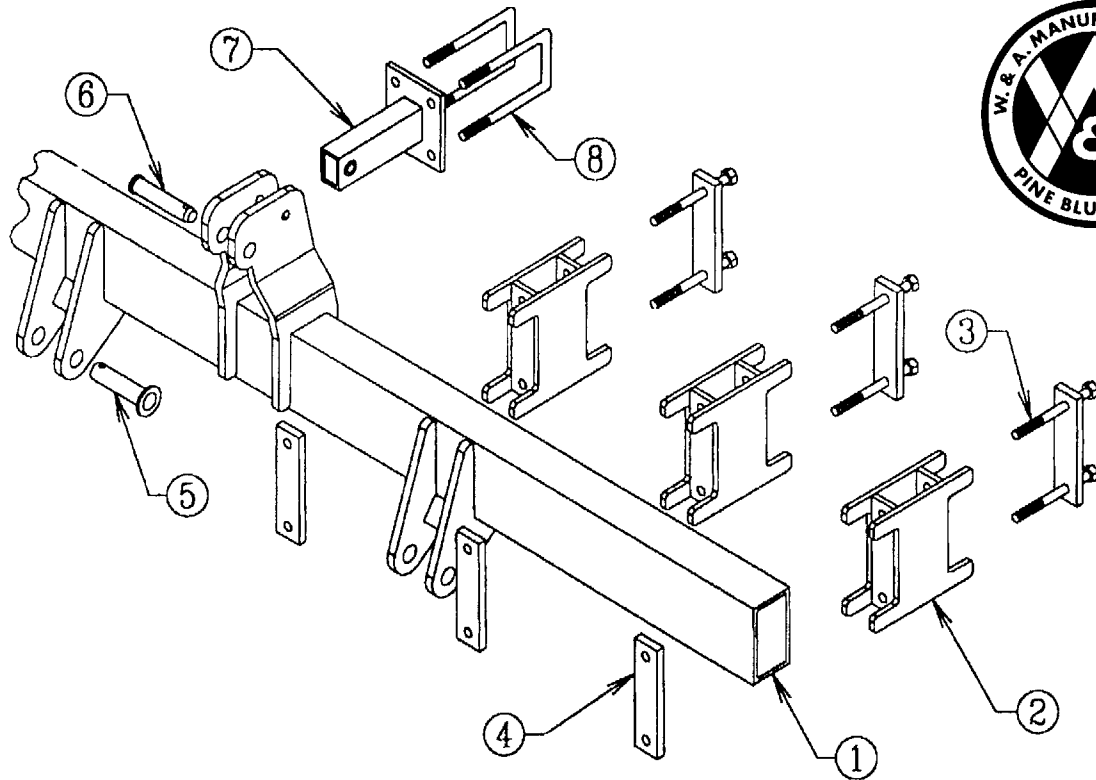
<u>Item No.</u>	<u>Part No.</u>	<u>Wt. Lbs.</u>	<u>Description</u>	<u>Qty. Req'd</u>
1	301917	961	Center Sect. – 12 Row @ 36" Planter.....	1
2	401084	¼	Form 1 Bushing -- 1-1/2" OD x 1-1/4" ID x 1-1/2" Long.....	4
3	401080	¼	Form 1 Bushing -- 1-1/2" OD x 1-1/4" ID x 1" Long.....	4
4	203948	14¼	2" Pivot Pin x 16-1/4" .....	4
-	413124	-	Machine Washer -- 3" OD x 2" ID x 10 Ga.....	8
5	416133	-	Roll Pin -- 1/2" x 3-1/2" - Zinc .....	4
6	301916	249	Power Arm.....	2
7	401118	½	Bushing -- 2.376" OD x 2.006" ID x 2" Long .....	8
-	450004	-	1/4" Drive-in Grease Fitting .....	4
8	476524	110	Hydraulic Cylinder -- 5" x 24" (w/1-1/4" Pin) .....	2
-	477056	-	Seal Kit -- 5" x 24" & 5" x 30" Lion Cyl (2" Rod) .....	-
9	446188	¼	1/2" x 1/2" Swivel Orifice Elbow .....	2
10	444024	¼	Swivel, ½" x ½" .....	2
-	785102	½	3/8" Hydraulic Hose x 102" .....	2
-	785113	½	3/8" Hydraulic Hose x 113" .....	2
11	301919	78	Leveling Arm .....	2
12	301819	19¾	Leveling Arm End – 1½" Dia.Rod .....	2
-	410032	1	Lock Nut -- 1-1/2" NF Nylon Insert - Zinc .....	2
-	413024	¼	Flat Washer -- 1-1/2" - Zinc .....	2
-	413120	-	Machine Washer -- 1-1/2" ID x 10 Ga.....	2
-	450004	-	1/4" Drive-in Grease Fitting .....	2
-	401095	-	Form 1 Bushing -- 1-7/8" OD x 1-1/2" ID x 1"Long.....	4
13	301824	1¾	Small Pin -- 1-1/4" x 2-1/2" Stacker Bar .....	4
-	411545	-	Hex Bolt -- 1/2" x 1-1/2" NC - Gr 5 - Zinc .....	4
-	413508	-	Lock Washer -- 1/2" - Zinc .....	4

# WING



<u>Item No.</u>	<u>Part No.</u>	<u>Wt. Lbs.</u>	<u>Description</u>	<u>Qty. Req'd</u>
4	203948	14¼	2" Pivot Pin x 16-1/4" .....	4
-	413124	-	Machine Washer -- 3" OD x 2" ID x 10 Ga .....	8
5	416133	-	Roll Pin -- 1/2" x 3-1/2" - Zinc .....	4
14	301918	432	Wing for 12 Row @ 36" Planter.....(Tube 101") .....	2
15	301825	8	Top Pin -- Top Leveling Stacker .....	2
-	411545	-	Hex Bolt -- 1/2" x 1-1/2" NC - Gr 5 - Zinc .....	2
-	413508	-	Lock Washer -- 1/2" - Zinc .....	2
16	301826	3½	Wing Lock Pin -- Top Leveling Stacker .....	2
-	416204	-	1/4" Klik Pin - Zinc .....	2

# HITCH ASSEMBLY

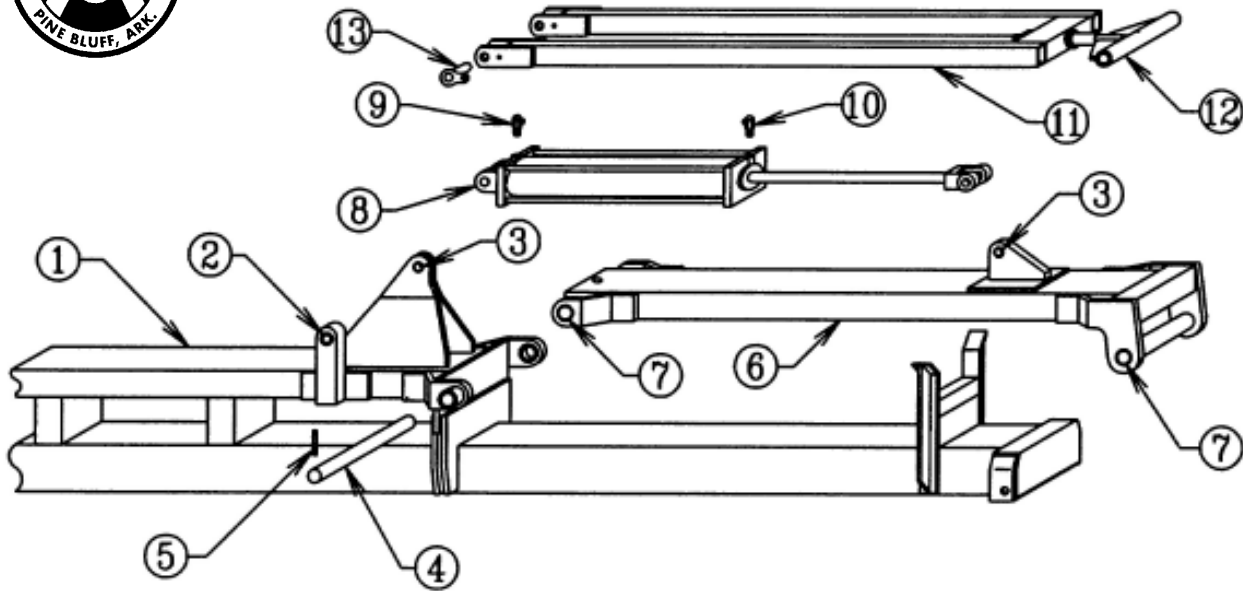


<u>Item No.</u>	<u>Part No.</u>	<u>Wt. Lbs.</u>	<u>Description</u>	<u>Qty. Req'd</u>
1	301833	361	Stacker Hitch – 12 Row .....	1
2	302014	25	5" Spacer Block .....	6
3	411604	1¼	Hex Bolt -- 3/4" x 10" NC - Gr 5 - Zinc .....	12
-	412012	-	Hex Nut -- 3/4" - 10 - Gr 2 - Zinc .....	12
-	413512	-	Lock Washer -- 3/4" - Zinc .....	12
4	203960	5	Backing Plate .....	12
-	411598	½	Hex Bolt -- 3/4" x 6-1/2" NC - Gr 5 - Zinc .....	12
-	412012	-	Hex Nut -- 3/4" - 10 - Gr 2 - Zinc .....	12
-	413512	-	Lock Washer -- 3/4" - Zinc .....	12
5	300837	3	Pull Pin -- 1-7/16" x 6" .....	2
-	416207	-	7/16" Klik Pin - Zinc .....	2
6	416698	2	1-1/4" Top Link Pin - Zinc .....	1
-	416207	-	7/16" Klik Pin - Zinc .....	1
7	301836	11	Top Connector -- 5" Spacer Blocks .....	1
-	411594	¾	Hex Bolt -- 3/4" x 5" NC - Gr 5 - Zinc .....	1
-	412012	-	Hex Nut -- 3/4" - 10 - Gr 2 - Zinc .....	1
-	413512	-	Lock Washer -- 3/4" - Zinc .....	1
8	415006	2	3/4" Sq. U-Bolt x 4" x 8-1/2" Leg .....	2
-	412012	-	Hex Nut -- 3/4" - 10 - Gr 2 - Zinc .....	4
-	413512	-	Lock Washer -- 3/4" - Zinc .....	4

# **STACKER TOOLBAR TOP LEVELING MODEL**

**Model No. 1270 -- 12 @ 38" Row - Planter**  
**Model No. 1271 -- 12 @ 40" Row - Planter**  
**Model No. 1274 -- 16 @ 30" Row - Planter**

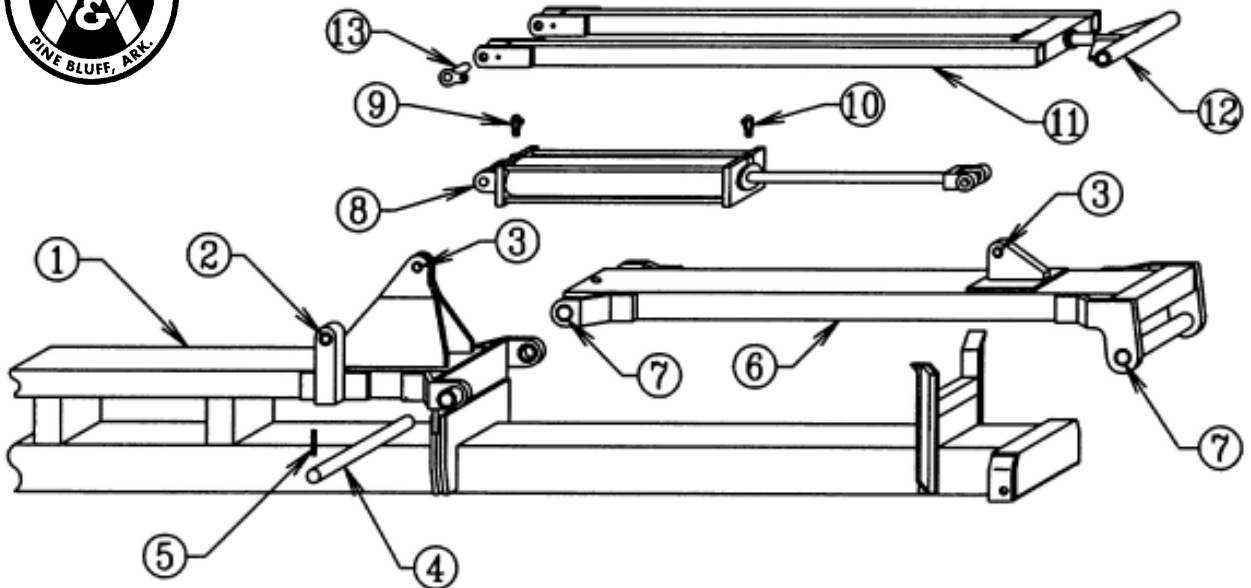
# CENTER SECTION



Item No.	Part No.	Wt. Lbs.	Description	Qty. Req'd		
				1270	1271	1274
1	301814	1201	Center Section – 38" Row Planter Bar .....	1	-	-
-	301814	1201	Center Section – 40" Row Planter Bar .....	-	1	-
-	301823	1220	Center Section – 30" Row Planter Bar.....(Not Illustrated) ...	-	-	1
2	401084	¼	Form 1 Bushing -- 1½" OD x 1¼" ID x 1½" Long .....	4	4	4
3	401080	¼	Form 1 Bushing -- 1½" OD x 1¼" ID x 1" Long .....	4	4	4
4	203948	14¼	2" Pivot Pin x 16¼" .....	4	4	4
-	413124	-	Machine Washer -- 3" OD x 2" ID x 10 Ga.....(Not Illustrated) ...	8	8	8
5	416133	-	Roll Pin -- 1/2" x 3½" - Zinc .....	4	4	4
6	301802	265	Power Arm -- Top Leveling Stacker .....	2	2	2
7	401118	½	Bushing -- 2.376" OD x 2.006" ID x 2" Long .....	8	8	8
-	450004	-	1/4" Drive-in Grease Fitting.....(Not Illustrated) ...	4	4	4
8	476029	126	Hydraulic Cylinder -- 5" x 30" (w/Pins) .....	2	2	2
-	477056	-	Seal Kit -- 5" x 24" & 5" x 30" Lion Cyl - 2" Rod.....(N/I) ...	-	-	-
9	446188	¼	1/2" x 1/2" Swivel Orifice Elbow .....	2	2	2

# CENTER SECTION

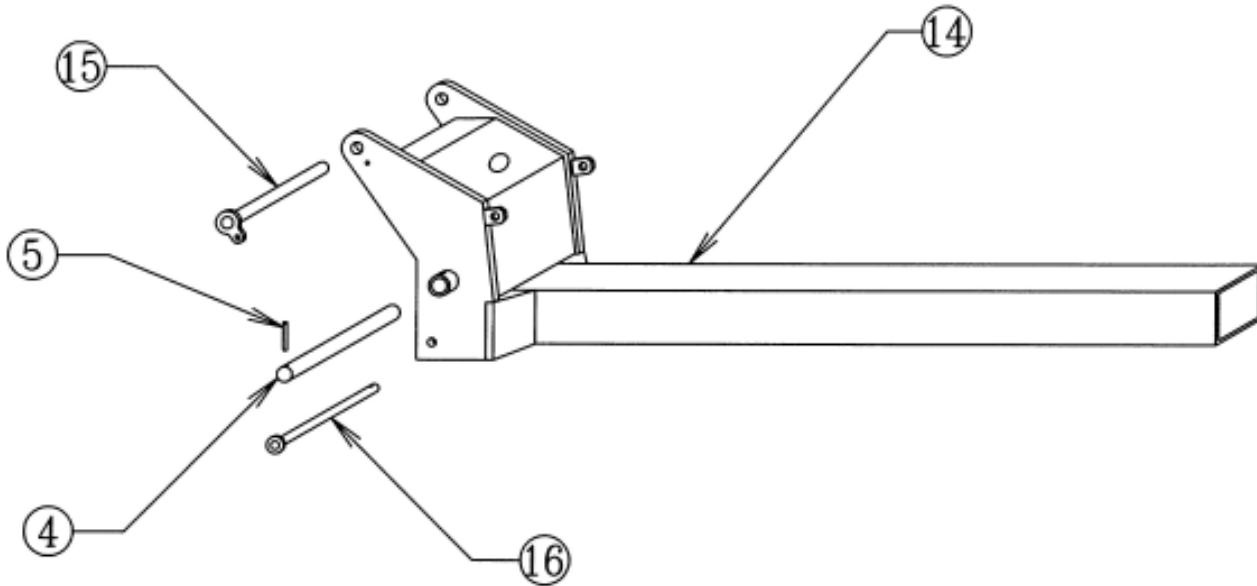
## (Continued)



Item No.	Part No.	Wt. Lbs.	Description	Qty. Req'd		
				1270	1271	1274
10	446188	¼	1/2" x 1/2" Swivel Orifice Elbow .....	2	2	-
-	785103	½	3/8" Hydraulic Hose x 103".....(Not Illustrated) ...	2	-	-
-	785120	½	3/8" Hydraulic Hose x 120".....(Not Illustrated) ...	2	2	2
-	785138	¾	3/8" Hydraulic Hose x 138".....(Not Illustrated) ...	-	2	2
11	301820	88	Leveling Arm -- For 1½" Dia. Rod .....	2	2	2
12	301819	19¾	Leveling Arm End with Lock Nut -- 1½" Dia. Rod .....	2	2	2
-	410032	1	Lock Nut -- 1½" NF Top Lock - Zinc.....(Not Illustrated) ...	2	2	2
-	413024	¼	Flat Washer -- 1½" - Zinc.....(Not Illustrated) ...	2	2	2
-	413120	-	Machine Washer -- 1½" ID x 10 Ga.....(Not Illustrated) ...	2	2	2
-	450004	-	1/4" Drive-in Grease Fitting.....(Not Illustrated) ...	2	2	2
-	401095	-	Form 1 Bushing -- 1-7/8" OD x 1½" ID x 1" Long.....(N/I) ...	4	4	4
13	301824	1¾	Small Pin -- 1¼" x 2½" Stacker Bar .....	4	4	4
-	411545	-	Hex Bolt -- 1/2" x 1½" NC - Gr 5 - Zinc.....(Not Illustrated) ...	4	4	4
-	413508	-	Lock Washer -- 1/2" - Zinc.....(Not Illustrated) ...	4	4	4
-	413008	-	Flat Washer -- 1/2" - Zinc.....(Not Illustrated) ...	4	4	4



# WING



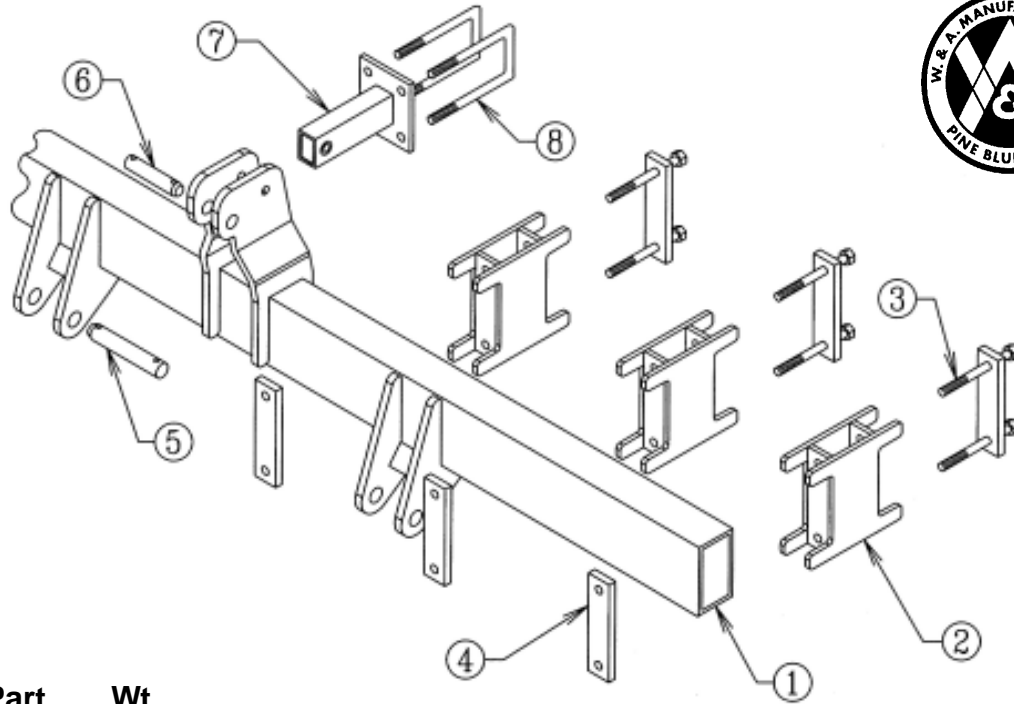
Item No.	Part No.	Wt. Lbs.	Description	Qty. Req'd		
				1270	1271	1274
4	203948	14¼	2" Pivot Pin x 16¼" .....	4	4	4
-	413124	-	Machine Washer -- 3" OD x 2" ID x 10 Ga.....(Not Illustrated) ...	8	8	8
5	416133	-	Roll Pin -- 1/2" x 3½" - Zinc .....	4	4	4
14	301816	460	Wing -- 38" Row Planter Bar .....	2	-	-
-	301822	475	Wing -- 30" & 40" Row Planter Bar.....(Not Illustrated) ...	-	2	2
15	301825	8	Top Pin -- Top Leveling Stacker .....	2	2	2
-	411545	-	Hex Bolt -- 1/2" x 1½" NC - Gr 5 - Zinc.....(Not Illustrated) ...	2	2	2
-	413508	-	Lock Washer -- 1/2" - Zinc.....(Not Illustrated) ...	2	2	2
-	413008	-	Flat Washer -- 1/2" - Zinc.....(Not Illustrated) ...	2	2	2
16	301826	3½	Wing Lock Pin -- Top Leveling Stacker .....	2	2	2
-	416204	-	Klik Pin -- 1/4" - Zinc.....(Not Illustrated) ...	2	2	2

**USE ONLY**



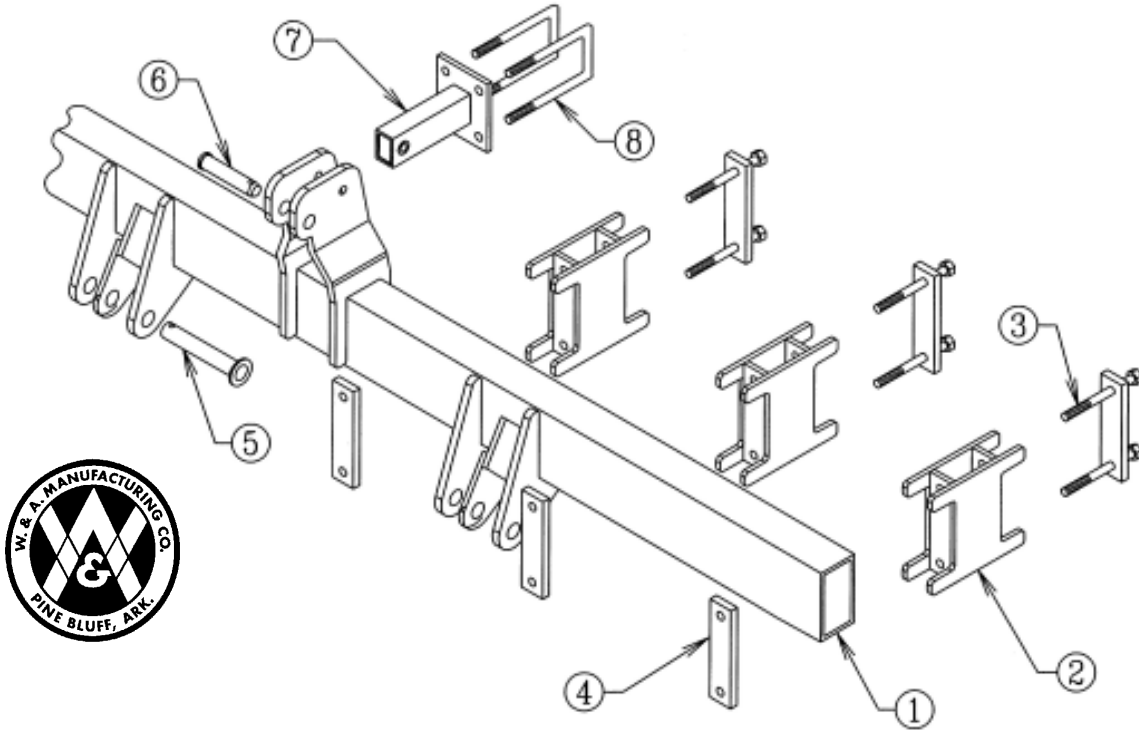
**W & A REPLACEMENT PARTS**

# HITCH ASSEMBLY



Item No.	Part No.	Wt. Lbs.	Description	Qty. Req'd	
				1270	1271
1	301833	361	Wide Hitch -- Top Leveling Stacker .....	1	1
2	302014	25	5" Spacer Block -- Top Leveling Stacker .....	6	6
3	203960	5	Backing Plate -- Top Leveling Stacker .....	6	6
-	411604	1¼	Hex Bolt -- ¾" x 10" - Gr 5 - Zinc.....(Not Illustrated) ..	12	12
-	412012	-	Hex Nut -- ¾" - 10 - Gr 2 - Zinc.....(Not Illustrated) ..	12	12
-	413512	-	Lock Washer -- ¾" - Zinc.....(Not Illustrated) ...	12	12
4	203960	5	Backing Plate -- Top Leveling Stacker .....	6	6
-	411598	½	Hex Bolt -- ¾" x 6½" NC - Gr 5 - Zinc.....(Not Illustrated) ..	12	12
-	412012	-	Hex Nut -- ¾" - 10 - Gr 2 - Zinc.....(Not Illustrated) ..	12	12
-	413512	-	Lock Washer -- ¾" - Zinc.....(Not Illustrated) ...	12	12
5	200876	3¾	Hardened Pull Pin -- 1-7/16" x 8-3/8" - Zinc .....	2	2
-	416207	-	Klik Pin -- 7/16" - Zinc.....(Not Illustrated) ..	2	2
-	416133	-	Roll Pin -- 1/2" x 3½" - Zinc.....(Not Illustrated) ...	2	2
6	200853	2	Hardened Top Link Pin -- 1¼" x 5-15/16" - Zinc.....	1	1
-	416207	-	Klik Pin -- 7/16" - Zinc.....(Not Illustrated) ..	1	1
-	416120	-	Roll Pin -- 3/8" x 2" - Zinc.....(Not Illustrated) ..	1	1
7	301836	11	Top Connector -- 5" Spacer - Hitch Assm.....	1	1
-	411822	¾	Hex Bolt -- ¾" x 5" NC - Gr 8 - Zinc.....(Not Illustrated) ...	1	1
-	412012	-	Hex Nut -- ¾" - 10 - Gr 2 - Zinc.....(Not Illustrated) ..	1	1
-	413512	-	Lock Washer -- ¾" - Zinc.....(Not Illustrated) ...	1	1
8	415006	2	¾" Sq. U-Bolt x 4" x 8½" Leg - Gr 5 - Zinc .....	2	2
-	412012	-	Hex Nut -- ¾" - 10 - Gr 2 - Zinc.....(Not Illustrated) ..	4	4
-	413512	-	Lock Washer -- ¾" - Zinc.....(Not Illustrated) ...	4	4

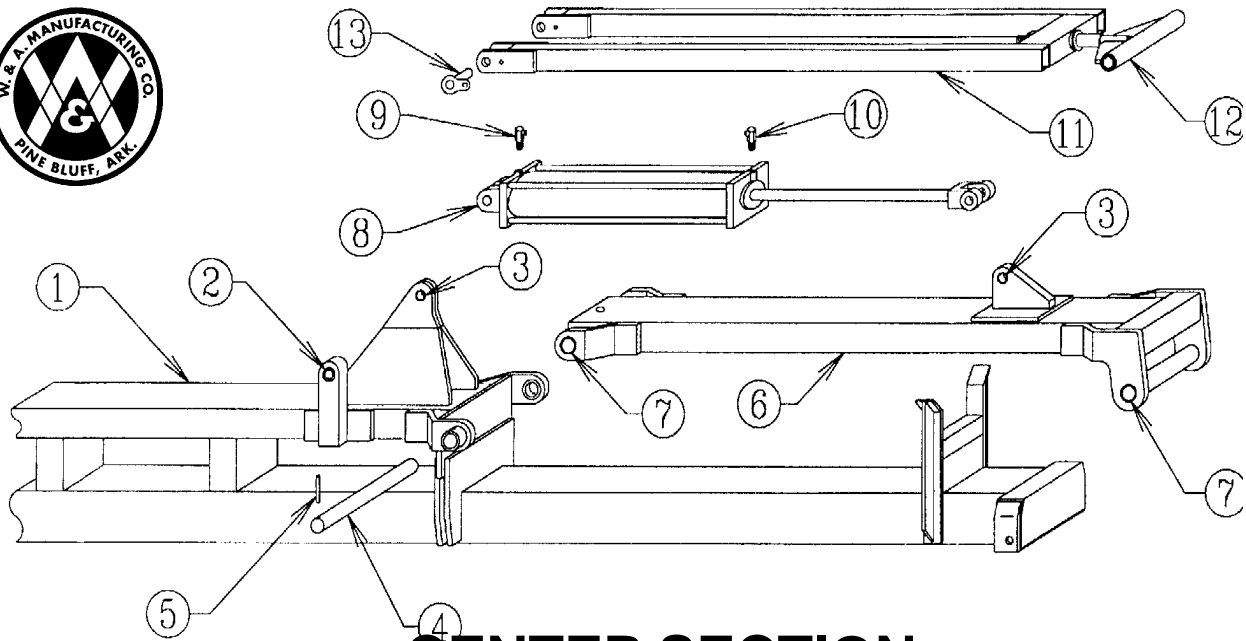
# HITCH ASSEMBLY



<u>Item No.</u>	<u>Part No.</u>	<u>Wt. Lbs.</u>	<u>Description</u>	<u>Qty. Req'd</u> <u>1274</u>
1	301832	369	Wide Stacker Hitch -- Cat. III & III Narrow.....(140") .....	1
2	302014	25	5" Spacer Block -- Top Leveling Stacker .....	6
3	203960	5	Backing Plate -- Top Leveling Stacker .....	6
-	411604	1¼	Hex Bolt -- 3/4" x 10" - Gr 5 - Zinc .....	12
-	412012	-	Hex Nut -- 3/4" - 10 - Gr 2 - Zinc.....(Not Illustrated) ..	12
-	413512	-	Lock Washer -- 3/4" - Zinc.....(Not Illustrated) ..	12
4	203960	5	Backing Plate -- Top Leveling Stacker .....	6
-	411598	½	Hex Bolt -- 3/4" x 6½" NC - Gr 5 - Zinc.....(Not Illustrated) ..	12
-	412012	-	Hex Nut -- 3/4" - 10 - Gr 2 - Zinc.....(Not Illustrated) ..	12
-	413512	-	Lock Washer -- 3/4" - Zinc.....(Not Illustrated) ..	12
5	300841	4	Pull Pin -- 1-7/16" x 9" .....	2
-	416207	-	Klik Pin -- 7/16" - Zinc.....(Not Illustrated) ..	2
6	416698	2	1¼" Top Link Pin - Zinc.....	1
-	416207	-	Klik Pin -- 7/16" - Zinc.....(Not Illustrated) ..	1
7	301836	11	Top Connector -- 5" Spacer - Hitch Assm .....	1
-	411822	¾	Hex Bolt -- 3/4" x 5" NC - Gr 8 - Zinc.....(Not Illustrated) ..	1
-	412012	-	Hex Nut -- 3/4" - 10 - Gr 2 - Zinc.....(Not Illustrated) ..	1
-	413512	-	Lock Washer -- 3/4" - Zinc.....(Not Illustrated) ..	1
8	415006	2	3/4" Sq. U-Bolt x 4" x 8½" Leg - Gr 5 - Zinc .....	2
-	412012	-	Hex Nut -- 3/4" - 10 - Gr 2 - Zinc.....(Not Illustrated) ..	4
-	413512	-	Lock Washer -- 3/4" - Zinc.....(Not Illustrated) ..	4

# **TWELVE ROW TOP LEVELING STACKER TOOLBAR**

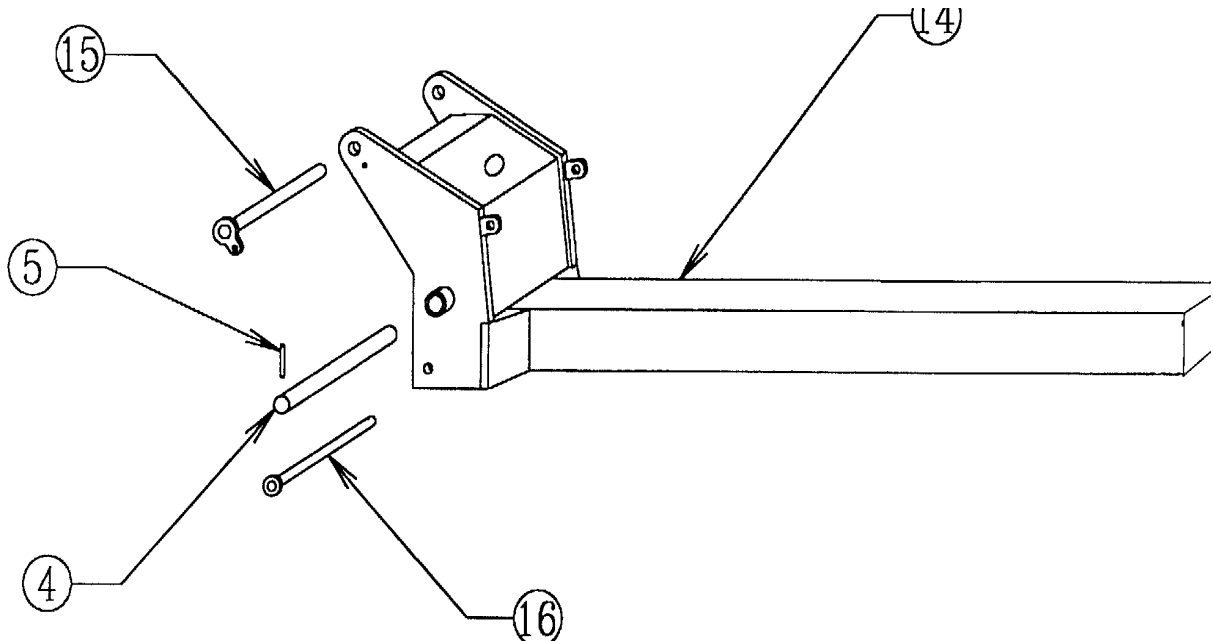
**Model No. 1270 & 1272**



## CENTER SECTION

Item No.	Part No.	Wt. Lbs.	Description	Qty. Req'd	
				Planter	Bedder
1	301814	1201	Center Section – Planter Bar @ 38" Rows .....	1	-
-	301810	1369	Center Section – Bedder Bar @ 38" Rows .....	-	1
2	401084	¼	Form 1 Bushing -- 1-1/2" OD x 1-1/4" ID x 1-1/2" Long ..	4	4
3	401080	¼	Form 1 Bushing -- 1-1/2" OD x 1-1/4" ID x 1" Long .....	4	4
4	203948	14¼	2" Pivot Pin x 16-1/4" .....	4	4
-	413124	-	Machine Washer -- 3" OD x 2" ID x 10 Ga .....	8	8
5	416133	-	Roll Pin -- 1/2" x 3-1/2" - Zinc .....	4	4
6	301802	265	Power Arm .....	2	2
7	401118	½	Bushing -- 2.376" OD x 2.006" ID x 2" Long .....	8	8
-	450004	-	1/4" Drive-in Grease Fitting .....	4	4
8	476029	126	Hydraulic Cylinder -- 5" x 30".....(w/Pins) .....	2	2
-	477056	-	Seal Kit -- 5" x 24" & 5" x 30" Lion Cyl (2" Rod) .....	-	-
9	446188	¼	1/2" x 1/2" Swivel Orifice Elbow .....	2	2
10	444024	¼	Swivel, ½" x ½" .....	2	2
-	785103	½	3/8" Hydraulic Hose x 103" .....	2	-
-	785120	½	3/8" Hydraulic Hose x 120" .....	2	2
-	785138	¾	3/8" Hydraulic Hose x 138" .....	-	2
11	301820	88	Leveling Arm (For 1½" Dia. Rod) .....	2	2
12	301819	19¾	Leveling Arm End -- 1-1/2" Dia.Rod .....	2	2
-	410032	1	Lock Nut -- 1-1/2" NF Nylon Insert - Zinc .....	2	2
-	413024	¼	Flat Washer -- 1-1/2" .....	2	2
-	413120	-	Machine Washer -- 1-1/2" ID x 10 Ga .....	2	2
-	450004	-	1/4" Drive-in Grease Fitting .....	2	2
-	401095	-	Form 1 Bushing -- 1-7/8" OD x 1-1/2" ID x 1" Long .....	4	4
13	301824	1¾	Small Pin -- 1-1/4" x 2-1/2" Stacker Bar .....	4	4
-	411545	-	Hex Bolt -- 1/2" x 1-1/2" NC - Gr 5 - Zinc .....	4	4
-	413508	-	Lock Washer -- 1/2" - Zinc .....	4	4
-	413008	-	Flat Washer -- 1/2" - Zinc .....	4	4

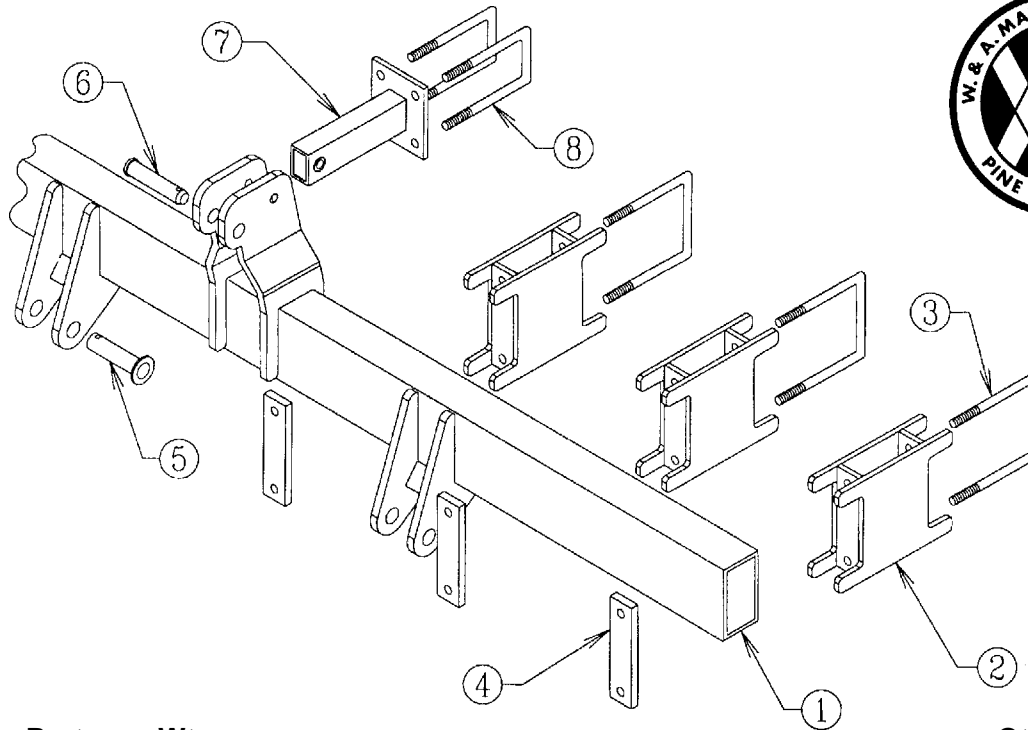
# WING



<u>Item No.</u>	<u>Part No.</u>	<u>Wt. Lbs.</u>	<u>Description</u>	<u>Qty. Req'd</u>	<u>Planter</u>	<u>Bedder</u>
4	203948	14¼	2" Pivot Pin x 16-1/4" .....	4	4	
-	413124	-	Machine Washer -- 3" OD x 2" ID x 10 Ga .....	8	8	
5	416133	-	Roll Pin -- 1/2" x 3-1/2" - Zinc .....	4	4	
14	301816	460	Wing for 38" & 40" Row Planter Bar .....	2	0	
-	301817	460	Wing for 38" & 40" Row Bedder Bar .....	0	2	
15	301825	8	Top Pin -- Top Leveling Stacker .....	2	2	
-	411545	-	Hex Bolt -- 1/2" x 1-1/2" NC - Gr 5 - Zinc .....	2	2	
-	413508	-	Lock Washer -- 1/2" - Zinc .....	2	2	
-	413008	-	Flat Washer -- 1/2" - Zinc .....	2	2	
16	301826	3½	Wing Lock Pin -- Top Leveling Stacker ..(Planter Bar Only) ..	2	0	
-	416204	-	1/4" Klik Pin - Zinc .....	2	0	



# HITCH ASSEMBLY



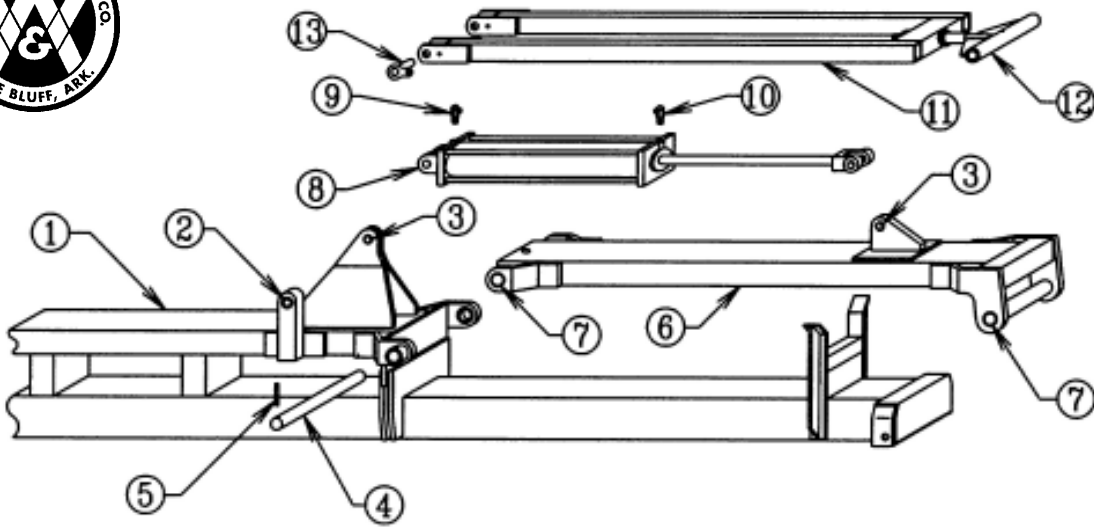
Item No.	Part No.	Wt. Lbs.	Description	Qty. Req'd	
				Planter	Bedder
1	301833	361	Wide Hitch -- Top Leveling Stacker .....	1	1
-	301835	411	Wide Hitch -- Cultivator .....	-	1
2	301831	32¼	7-1/2" Spacer Block -- Top Leveling Stacker .....	-	6
-	302014	25	5" Spacer Block -- Top Leveling Stacker .....	6	-
3	415004	2½	¾" Sq. U-Bolt x 7" x 9" Leg .....	-	6
-	203960	5	Backing Plate -- Top Leveling Stacker....(Not Illustrated) .....	6	-
-	411601		Hex Bolt -- ¾" x 10" - Gr 5 - Zinc.....(Not Illustrated) .....	12	-
-	412012	-	Hex Nut -- ¾" - 10 - Gr 2 - Zinc.....(Not Illustrated) .....	12	12
-	413512	-	Lock Washer -- ¾" - Zinc.....(Not Illustrated) .....	12	12
4	203960	5	Backing Plate -- Top Leveling Stacker .....	6	6
-	411598	½	Hex Bolt -- ¾" x 6-1/2" NC - Gr 5 - Zinc .....	12	12
-	412012	-	Hex Nut -- ¾" - 10 - Gr 2 - Zinc .....	12	12
-	413512	-	Lock Washer -- ¾" - Zinc .....	12	12
5	300837	3	Pull Pin -- 1-7/16" x 6" .....	2	2
-	416207	-	7/16" Klik Pin - Zinc .....	2	2
6	416698	2	1-1/4" Top Link Pin - Zinc .....	1	1
-	416207	-	7/16" Klik Pin - Zinc .....	1	1
7	301834	12¾	Top Connector -- 7-1/2" Spacer Blocks .....	-	1
-	301836	11	Top Connector -- 5" Spacer Blocks .....	1	-
-	411594	¾	Hex Bolt -- ¾" x 5" NC - Gr 5 - Zinc .....	1	1
-	412012	-	Hex Nut -- ¾" - 10 - Gr 2 - Zinc .....	1	1
-	413512	-	Lock Washer -- ¾" - Zinc .....	1	1
8	415006	2	¾" Sq. U-Bolt x 4" x 8½" Leg .....	2	2
-	412012	-	Hex Nut -- ¾" - 10 - Gr 2 - Zinc .....	4	4
-	413512	-	Lock Washer -- ¾" - Zinc .....	4	4

# **STACKER TOOLBAR TOP LEVELING MODEL**

**Model No. 1272 -- 12 @ 38" Row - Bedder**  
**Model No. 1273 -- 12 @ 38" Row - Cultivator**  
**Model No. 1275 -- 12 @ 40" Row - Bedder**

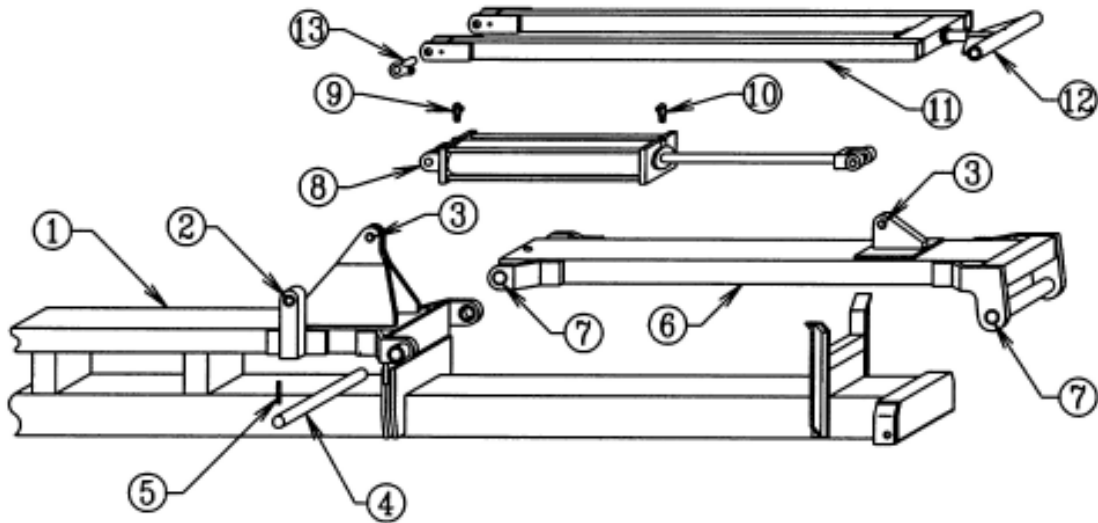


# CENTER SECTION



Item No.	Part No.	Wt. Lbs.	Description	Qty. Req'd		
				1272	1273	1275
1	301810	1369	Center Section – 38” Row Bedder Bar .....	1	-	-
-	301837	1369	Center Section – 38” Row Cultivator Bar.....(Not Illustrated) ..	-	1	-
-	301818	1407	Center Section – 40” Row Bedder Bar.....(Not Illustrated) ..	-	-	1
2	401084	¼	Form 1 Bushing -- 1½” OD x 1¼” ID x 1½” Long .....	4	4	4
3	401080	¼	Form 1 Bushing -- 1½” OD x 1¼” ID x 1” Long .....	4	4	4
4	203948	14¼	2” Pivot Pin x 16¼” .....	4	4	4
-	413124	-	Machine Washer -- 3” OD x 2” ID x 10 Ga.....(Not Illustrated) ..	8	8	8
5	416133	-	Roll Pin -- 1/2” x 3½” - Zinc .....	4	4	4
6	301802	265	Power Arm -- Top Leveling Stacker .....	2	2	2
7	401118	½	Bushing -- 2.376” OD x 2.006” ID x 2” Long .....	8	8	8
-	450004	-	1/4” Drive-in Grease Fitting.....(Not Illustrated) ...	4	4	4
8	476029	126	Hydraulic Cylinder -- 5” x 30” (w/Pins) .....	2	2	2
-	477056	-	Seal Kit -- 5” x 24” & 5” x 30” Lion Cyl - 2” Rod..(Not Illustrated)	-	-	-
9	446188	¼	1/2” x 1/2” Swivel Orifice Elbow .....	2	2	2
10	446188	¼	1/2” x 1/2” Swivel Orifice Elbow .....	2	2	2
-	785120	½	3/8” Hydraulic Hose x 120”.....(Not Illustrated) ...	2	2	-
-	785138	¾	3/8” Hydraulic Hose x 138”.....(Not Illustrated) ...	2	2	-
-	785123		3/8” Hydraulic Hose x 123”.....(Not Illustrated) ...	-	-	2
-	785143		3/8” Hydraulic Hose x 143”.....(Not Illustrated) ...	-	-	2

# CENTER SECTION (Continued)



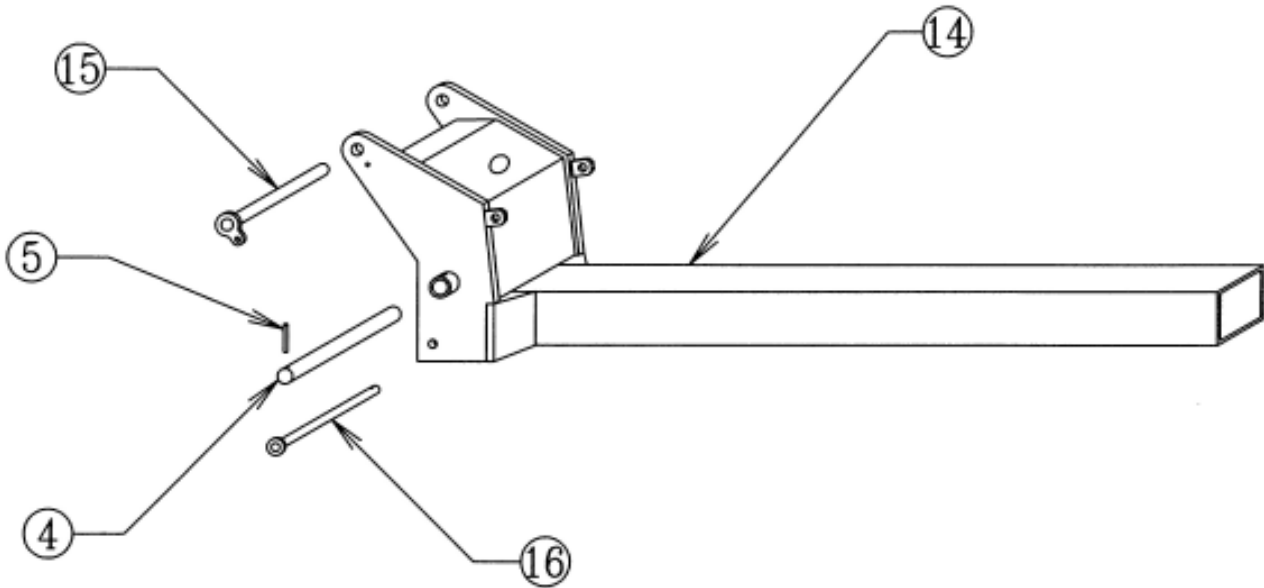
Item No.	Part No.	Wt. Lbs.	Description	Qty. Req'd		
				1272	1273	1275
11	301820	88	Leveling Arm -- For 1½" Dia. Rod .....	2	2	2
12	301819	19¾	Leveling Arm End with Lock Nut -- 1½" Dia. Rod .....	2	2	2
-	410032	1	Lock Nut -- 1½" NF Top Lock - Zinc.....(Not Illustrated) ...	2	2	2
-	413024	¼	Flat Washer -- 1½" - Zinc.....(Not Illustrated) ...	2	2	2
-	413120	-	Machine Washer -- 2¼" OD x 1½" ID x 10 Ga..(Not Illustrated) ...	2	2	2
-	450004	-	1/4" Drive-in Grease Fitting.....(Not Illustrated) ...	2	2	2
-	401095	-	Form 1 Bushing.....1-7/8" OD x 1½" ID x 1" Long.....(Not Illustrated) ...	4	4	4
13	301824	1¾	Small Pin -- 1¼" x 2½" Stacker Bar .....	4	4	4
-	411545	-	Hex Bolt -- 1/2" x 1½" NC - Gr 5 - Zinc.....(Not Illustrated) ...	4	4	4
-	413508	-	Lock Washer -- 1/2" - Zinc.....(Not Illustrated) ..	4	4	4
-	413008	-	Flat Washer -- 1/2" - Zinc.....(Not Illustrated) ...	4	4	4

**USE ONLY**



**W & A REPLACEMENT PARTS**

# WING



Item No.	Part No.	Wt. Lbs.	Description	Qty. Req'd		
				1272	1273	1275
4	203948	14¼	2" Pivot Pin x 16¼" .....	4	4	4
-	413124	-	Machine Washer -- 3" OD x 2" ID x 10 Ga.....(Not Illustrated) ..	8	8	8
5	416133	-	Roll Pin -- 1/2" x 3½" - Zinc .....	4	4	4
14	301817	460	Wing -- 38" & 40" Row Bedder & Cultivator .....	2	2	2
15	301825	8	Top Pin -- Top Leveling Stacker .....	2	2	2
-	411545	-	Hex Bolt -- 1/2" x 1½" NC - Gr 5 - Zinc.....(Not Illustrated) ...	2	2	2
-	413508	-	Lock Washer -- 1/2" - Zinc.....(Not Illustrated) ..	2	2	2
-	413008	-	Flat Washer -- 1/2" - Zinc.....(Not Illustrated) ...	2	2	2

**USE ONLY**

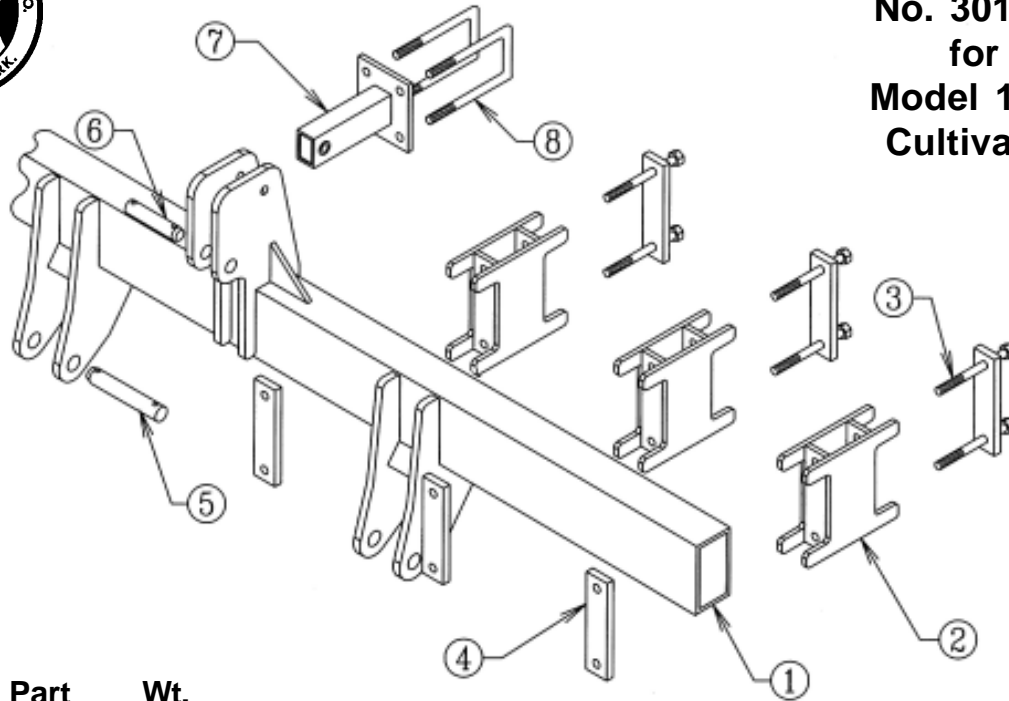


**W & A REPLACEMENT PARTS**



# HITCH ASSEMBLY

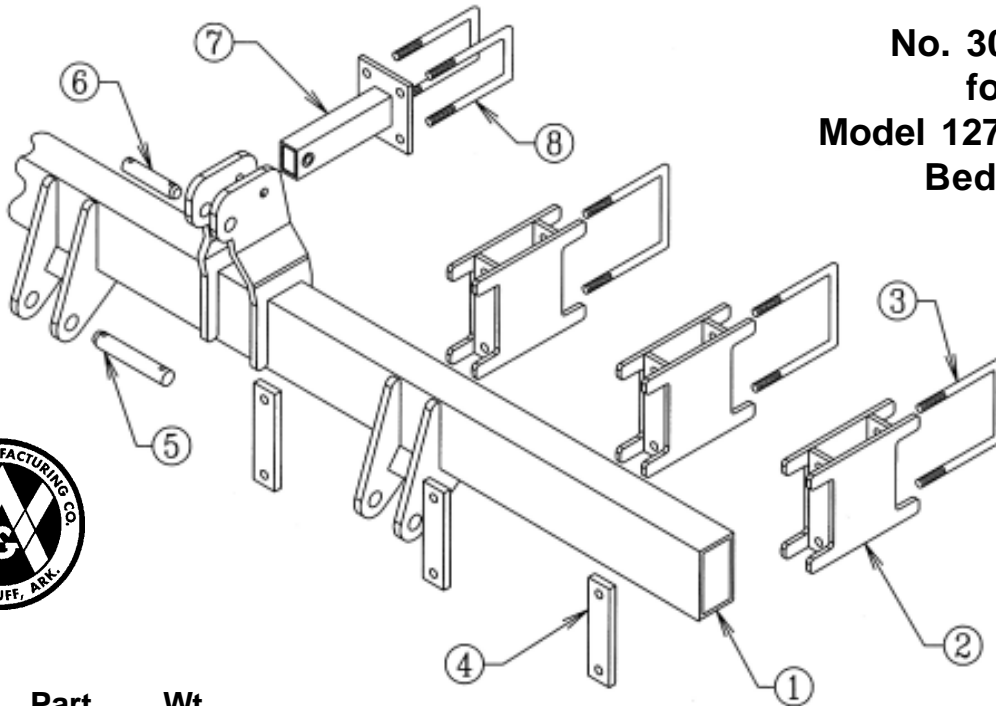
No. 301835  
for  
Model 1273  
Cultivator



<u>Item No.</u>	<u>Part No.</u>	<u>Wt. Lbs.</u>	<u>Description</u>	<u>Qty. Req'd 1273</u>
1	301835	411	Wide Hitch -- Cultivator .....	1
2	302014	25	5" Spacer Block -- Top Leveling Stacker .....	6
3	203960	5	Backing Plate -- Top Leveling Stacker .....	6
-	411604		Hex Bolt -- 3/4" x 10" - Gr 5 - Zinc .....	12
-	412012	-	Hex Nut -- 3/4" - 10 - Gr 2 - Zinc.....(Not Illustrated) ..	12
-	413512	-	Lock Washer -- 3/4" - Zinc.....(Not Illustrated) ..	12
4	203960	5	Backing Plate -- Top Leveling Stacker .....	6
-	411598	1/2	Hex Bolt -- 3/4" x 6 1/2" NC - Gr 5 - Zinc.....(Not Illustrated) ..	12
-	412012	-	Hex Nut -- 3/4" - 10 - Gr 2 - Zinc.....(Not Illustrated) ..	12
-	413512	-	Lock Washer -- 3/4" - Zinc.....(Not Illustrated) ..	12
5	200876	3 3/4	Hardened Pull Pin -- 1-7/16" x 8-3/8" - Zinc .....	2
-	416207	-	Klik Pin -- 7/16" - Zinc.....(Not Illustrated) ..	2
-	416133	-	Roll Pin -- 1/2" x 3 1/2" - Zinc.....(Not Illustrated) ..	2
6	200853	2	Hardened Top Pin -- 1 1/4" x 5-15/16" - Zinc .....	1
-	416207	-	Klik Pin -- 7/16" - Zinc.....(Not Illustrated) ..	1
-	416120	-	Roll Pin -- 3/8" x 2" - Zinc.....(Not Illustrated) ..	1
7	301836	11	Top Connector -- 5" Spacer Block - Hitch Assm .....	1
-	411822	3/4	Hex Bolt -- 3/4" x 5" NC - Gr 8 - Zinc.....(Not Illustrated) ..	1
-	412012	-	Hex Nut -- 3/4" - 10 - Gr 2 - Zinc.....(Not Illustrated) ..	1
-	413512	-	Lock Washer -- 3/4" - Zinc.....(Not Illustrated) ..	1
8	415006	2	3/4" Sq. U-Bolt x 4" x 8 1/2" Leg - Gr. 5 - Zinc .....	2
-	412012	-	Hex Nut -- 3/4" - 10 - Gr 2 - Zinc.....(Not Illustrated) ..	4
-	413512	-	Lock Washer -- 3/4" - Zinc.....(Not Illustrated) ..	4

# HITCH ASSEMBLY

No. 301833  
for  
Model 1272 & 1275  
Bedder

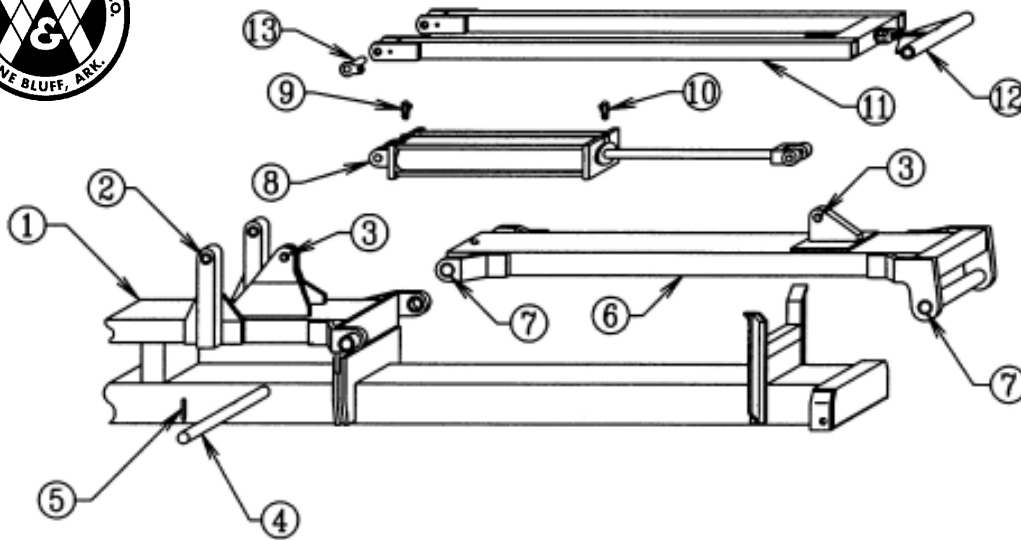


Item No.	Part No.	Wt. Lbs.	Description	Qty. Req'd Bedder
1	301833	361	Wide Hitch -- Top Leveling Stacker .....	1
2	301831	32¼	7½" Spacer Block -- Top Leveling Stacker .....	6
3	415004	2½	¾" Sq. U-Bolt x 7" x 9" Leg .....	6
-	412012	-	Hex Nut -- ¾" - 10 - Gr 2 - Zinc.....(Not Illustrated) ...	12
-	413512	-	Lock Washer -- ¾" - Zinc.....(Not Illustrated) ..	12
4	203960	5	Backing Plate -- Top Leveling Stacker .....	6
-	411598	½	Hex Bolt -- ¾" x 6½" NC - Gr 5 - Zinc.....(Not Illustrated) ...	12
-	412012	-	Hex Nut -- ¾" - 10 - Gr 2 - Zinc.....(Not Illustrated) ...	12
-	413512	-	Lock Washer -- ¾" - Zinc.....(Not Illustrated) ..	12
5	200876	3¾	Hardened Pull Pin -- 1-7/16" x 8-3/8" - Zinc .....	2
-	416207	-	Klik Pin -- 7/16" - Zinc.....(Not Illustrated) ...	2
-	416133	-	Roll Pin -- 1/2" x 3½" - Zinc.....(Not Illustrated) ..	2
6	200853	2	Hardened Top Link Pin -- 1¼" x 5-15/16" - Zinc .....	1
-	416207	-	Klik Pin -- 7/16" - Zinc.....(Not Illustrated) ...	1
-	416120	-	Roll Pin -- 3/8" x 2" - Zinc.....(Not Illustrated) ...	1
7	301834	12¾	Top Connector -- 7½" Spacer Block - Hitch Assm .....	1
-	411822	¾	Hex Bolt -- ¾" x 5" NC - Gr 8 - Zinc.....(Not Illustrated) ..	1
-	412012	-	Hex Nut -- ¾" - 10 - Gr 2 - Zinc.....(Not Illustrated) ...	1
-	413512	-	Lock Washer -- ¾" - Zinc.....(Not Illustrated) ..	1
8	415006	2	¾" Sq. U-Bolt x 4" x 8½" Leg - Gr. 5 - Zinc.....	2
-	412012	-	Hex Nut -- ¾" - 10 - Gr 2 - Zinc.....(Not Illustrated) ...	4
-	413512	-	Lock Washer -- ¾" - Zinc.....(Not Illustrated) ..	4

# **STACKER TOOLBAR TOP LEVELING MODEL**

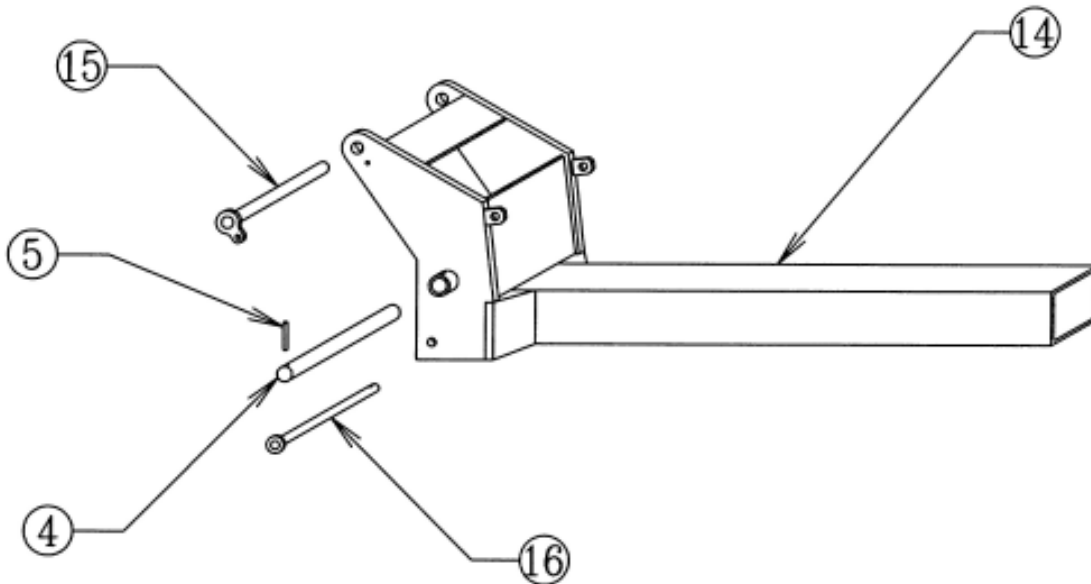
**Model No. 1278 -- 16 @ 30" Row - Cultivator**

# CENTER SECTION



Item No.	Part No.	Wt. Lbs.	Description	Qty. Req'd
1	301838	1369	Center Section – 16 @ 30" Row Cultivator.....(258-7/8") .....	1
2	401084	¼	Form 1 Bushing -- 1½" OD x 1¼" ID x 1½" Long .....	4
3	401080	¼	Form 1 Bushing -- 1½" OD x 1¼" ID x 1" Long .....	4
4	203948	14¼	2" Pivot Pin x 16¼" .....	4
-	413124	-	Machine Washer -- 3" OD x 2" ID x 10 Ga.....(Not Illustrated) ..	8
5	416133	-	Roll Pin -- 1/2" x 3½" - Zinc.....	4
6	301802	206	Power Arm -- Top Leveling Stacker .....	2
7	401118	½	Bushing -- 2.376" OD x 2.006" ID x 2" Long .....	8
-	450004	-	1/4" Drive-in Grease Fitting.....(Not Illustrated) ..	4
8	476524	110	Hydraulic Cylinder -- 5" x 24" (w/1¼" Pin).....	2
-	477056	-	Seal Kit -- 5" x 24" & 5" x 30" Lion Cyl - 2" Rod.....(Not Illustrated) ..	-
9	446188	¼	1/2" x 1/2" Swivel Orifice Elbow .....	2
10	446188	¼	1/2" x 1/2" Swivel Orifice Elbow .....	2
-	785115	½	3/8" Hydraulic Hose x 115".....(Not Illustrated) ..	2
-	785126	½	3/8" Hydraulic Hose x 126".....(Not Illustrated) ..	2
11	301821	59	Leveling Arm -- For 1½" Dia. Rod - 16 @ 30" Cultivator ....	2
12	301819	19¾	Leveling Arm End with Lock Nut – 1½" Dia.Rod .....	2
-	410032	1	Lock Nut -- 1½" NF Top Lock - Zinc.....(Not Illustrated) ..	2
-	413024	¼	Flat Washer -- 1½" - Zinc.....(Not Illustrated) ..	2
-	413120	-	Machine Washer -- 2¼" OD x 1½" ID x 10 Ga.....(Not Illustrated) ..	2
-	450004	-	1/4" Drive-in Grease Fitting.....(Not Illustrated) ..	2
-	401095	-	Form 1 Bushing -- 1-7/8" OD x 1½" ID x 1"Long.....(Not Illustrated) ...	4
13	301824	1¾	Small Pin -- 1¼" x 2½" Stacker Bar .....	4
-	411545	-	Hex Bolt -- 1/2" x 1½" NC - Gr 5 - Zinc.....(Not Illustrated) ..	4
-	413508	-	Lock Washer -- 1/2" - Zinc.....(Not Illustrated) ...	4
-	413008	-	Flat Washer -- 1/2" - Zinc.....(Not Illustrated) ..	4

# WING



Item No.	Part No.	Wt. Lbs.	Description	Qty. Req'd
4	203948	14¼	2" Pivot Pin x 16¼"	4
-	413124	-	Machine Washer -- 3" OD x 2" ID x 10 Ga.....(Not Illustrated) ..	8
5	416133	-	Roll Pin -- 1/2" x 3½" - Zinc.....	4
14	301830	471	Wing -- 16 @ 30" Row Cultivator.....(108" Tube) .....	2
15	301825	8	Top Pin -- Top Leveling Stacker .....	2
-	411545	-	Hex Bolt -- 1/2" x 1½" NC - Gr 5 - Zinc.....(Not Illustrated) ..	2
-	413508	-	Lock Washer -- 1/2" - Zinc.....(Not Illustrated) ..	2
-	413008	-	Flat Washer -- 1/2" - Zinc.....(Not Illustrated) ..	2
16	301826	3½	Wing Lock Pin -- Top Leveling Stacker .....	2
-	416204	-	Klik Pin -- 1/4" - Zinc.....(Not Illustrated) ..	2

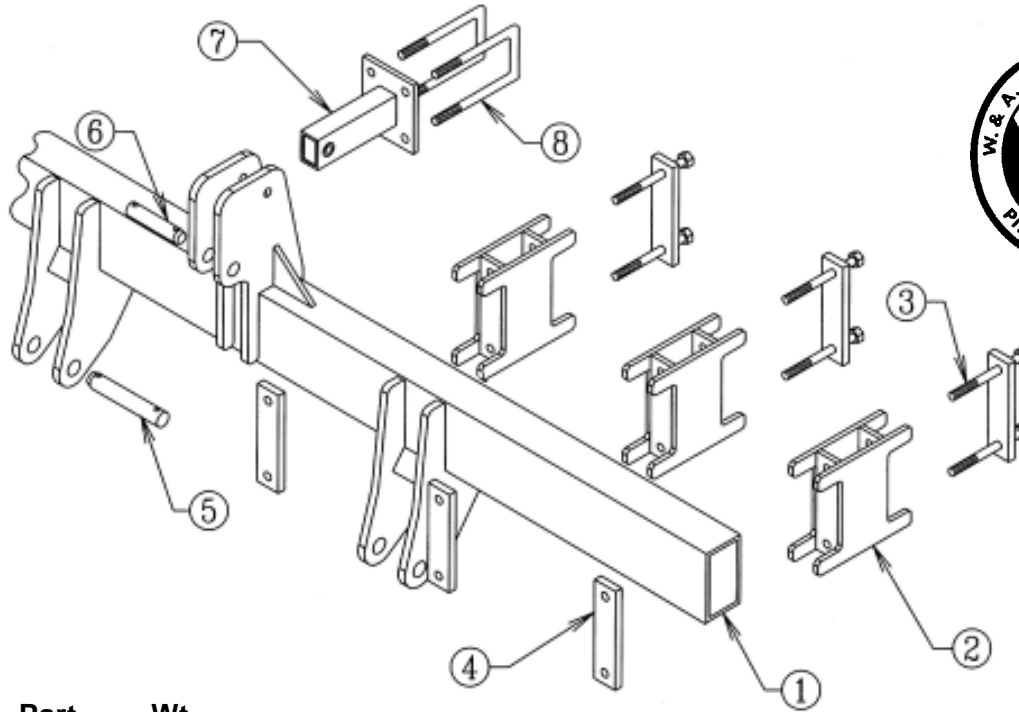
USE ONLY



W & A REPLACEMENT PARTS



# HITCH ASSEMBLY



<u>Item No.</u>	<u>Part No.</u>	<u>Wt. Lbs.</u>	<u>Description</u>	<u>Qty. Req'd</u>
1	301839	536	Stacker Cultivator Hitch – 16 Row @ 30" .....(200") .....	1
2	302014	25	5" Spacer Block -- Top Leveling Stacker .....	8
3	203960	5	Backing Plate -- Top Leveling Stacker .....	8
-	411604	1¼	Hex Bolt -- 3/4" x 10" NC - Gr 5 - Zinc.....	16
-	412012	-	Hex Nut -- 3/4" - 10 - Gr 2 - Zinc.....(Not Illustrated) ..	16
-	413512	-	Lock Washer -- 3/4" - Zinc.....(Not Illustrated) ..	16
4	203960	5	Backing Plate -- Top Leveling Stacker .....	8
-	411598	½	Hex Bolt -- 3/4" x 6½" NC - Gr 5 - Zinc.....(Not Illustrated) ..	16
-	412012	-	Hex Nut -- 3/4" - 10 - Gr 2 - Zinc.....(Not Illustrated) ..	16
-	413512	-	Lock Washer -- 3/4" - Zinc.....(Not Illustrated) ..	16
5	200876	3¾	Hardened Pull Pin -- 1-7/16" x 8-3/8" - Zinc .....	2
-	416207	-	Klik Pin -- 7/16" - Zinc.....(Not Illustrated) ..	2
-	416133	-	Roll Pin -- 1/2" x 3½" - Zinc.....(Not Illustrated) ..	2
6	200853	2	Hardened Top Link Pin -- 1¼" x 5-15/16" - Zinc .....	1
-	416207	-	Klik Pin -- 7/16" - Zinc.....(Not Illustrated) ..	1
-	416120	-	Roll Pin -- 3/8" x 2" - Zinc.....(Not Illustrated) ..	1
7	301836	11	Top Connector -- 5" Spacer - Hitch Assm .....	1
-	411822	¾	Hex Bolt -- 3/4" x 5" NC - Gr 8 - Zinc.....(Not Illustrated) ..	1
-	412012	-	Hex Nut -- 3/4" - 10 - Gr 2 - Zinc.....(Not Illustrated) ..	1
-	413512	-	Lock Washer -- 3/4" - Zinc.....(Not Illustrated) ..	1
8	415006	2	3/4" Sq. U-Bolt x 4" x 8½" Leg - Gr 5 - Zinc .....	2
-	412012	-	Hex Nut -- 3/4" - 10 - Gr 2 - Zinc.....(Not Illustrated) ..	4
-	413512	-	Lock Washer -- 3/4" - Zinc.....(Not Illustrated) ..	4